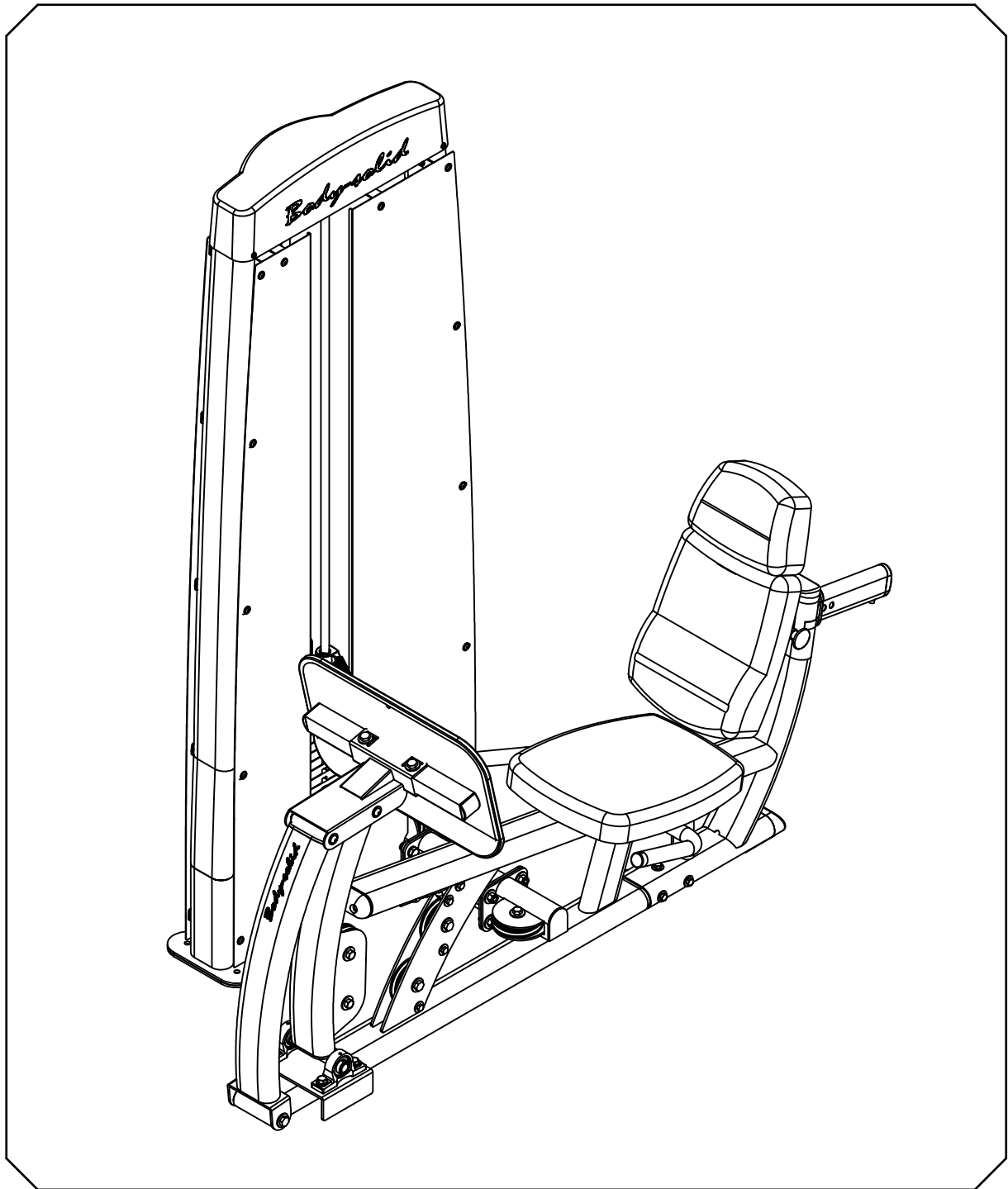


Body-Solid

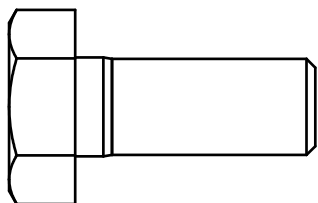


BODY-SOLID, Inc.
1900 S. Des Plaines Ave.
Forest Park, IL 60130 USA
Phone: (708) 427-3555
Fax: (708) 427-3556
www.bodysolid.com

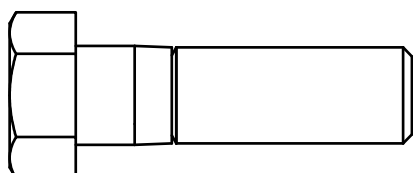
DCLP.1 OWNER'S MANUAL

DCLP ASSEMBLY INSTRUCTIONS

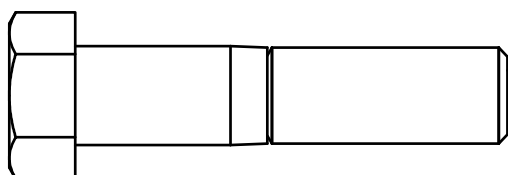
HARDWARW ILLUSTRATION



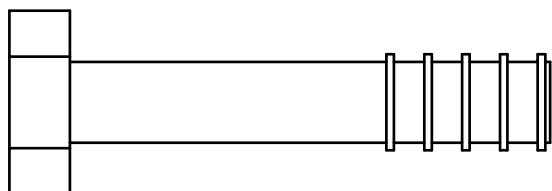
(A1)HEX BOLT 1/2"X1-1/4"L PARTIAL QTY.8



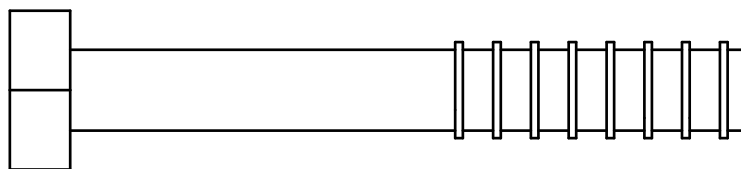
(A2)HEX BOLT 1/2"X1-3/4"L PARTIAL QTY.4



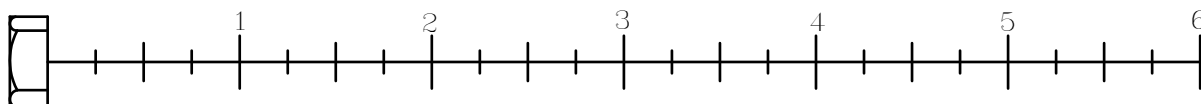
(A3)HEX BOLT 1/2"X2-1/4"L PARTIAL QTY.2



(A4)HEX BOLT 1/2"X2-1/2"L PARTIAL QTY.2

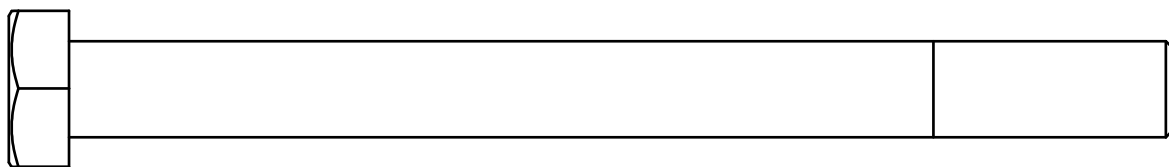


(A5)HEX BOLT 1/2"X3-1/2"L PARTIAL QTY.2

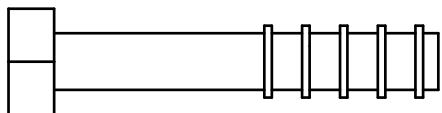


DCLP ASSEMBLY INSTRUCTIONS

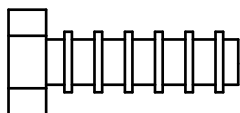
HARDWARW ILLUSTRATION



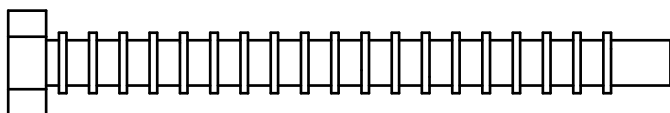
(A6)HEX BOLT 1/2"X5-3/4"L PARTIAL QTY.2



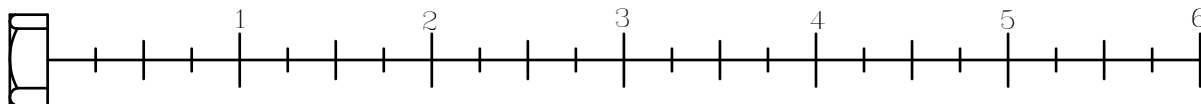
(A7)HEX BOLT 3/8"X2"L PARTIAL QTY.4



(A8)HEX BOLT 5/16"X1"L PARTIAL QTY.4

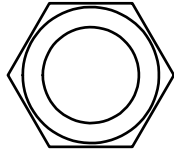
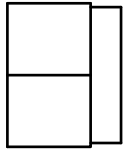


(A9)HEX BOLT 5/16X3-1/4"L PARTIAL QTY.2

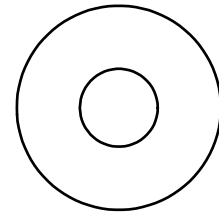


DCLP ASSEMBLY INSTRUCTIONS

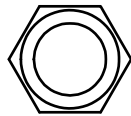
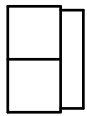
HARDWARW ILLUSTRATION



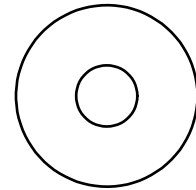
(B1) NYLON LOCK NUT 1/2" QTY.20



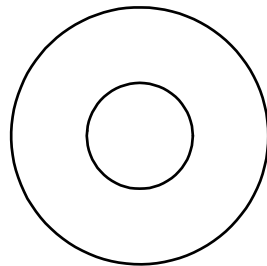
(C3) 3/8" (I.D.) FLAT WASHER Ø27 QTY.8



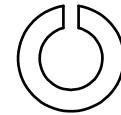
(B2) NYLON LOCK NUT 3/8" QTY.4



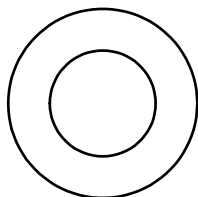
(C4) 5/16" (I.D.) FLAT WASHER Ø24 QTY.6



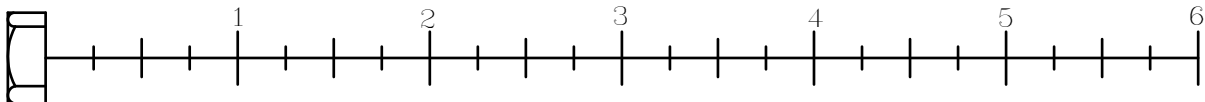
(C1) 1/2" (I.D.) FLAT WASHER Ø34 QTY.24



(C5) SPRING WASHER 5/16" QTY.6

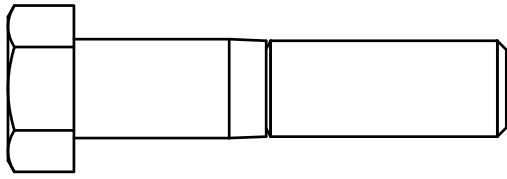


(C2) 1/2" (I.D.) FLAT WASHER Ø25 QTY.16

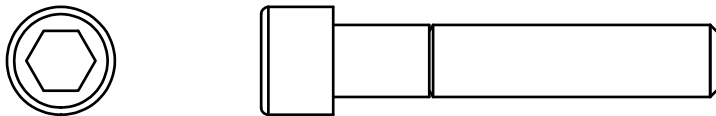


DCLP ASSEMBLY INSTRUCTIONS

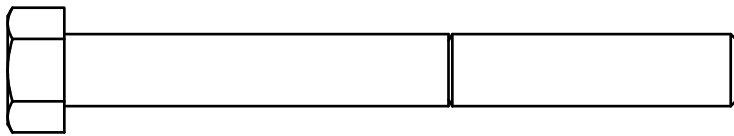
HARDWARW ILLUSTRATION



(AA2)HEX BOLT 1/2"X2-1/4"L PARTIAL QTY.4



(AA4)ROUND INNER HEAD 3/8"X2"L PARTIAL QTY.1



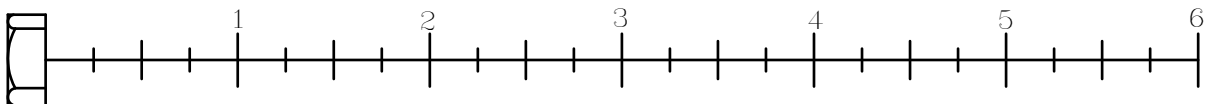
(AA5)ROUND INNER HEAD 3/8"X3-1/2"L PARTIAL QTY.1



(AA6)ROUND INNER HEX SCREW M6X20L PARTIAL QTY.24

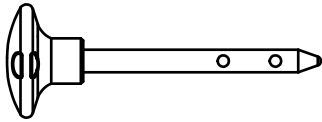


(AA7)ROUND CROSS SCREW 5/32"X1/4"L PARTIAL QTY.4

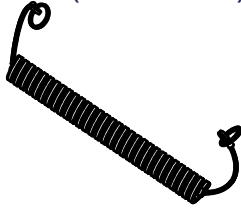


DCLP ASSEMBLY INSTRUCTIONS

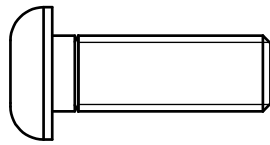
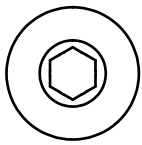
HARDWARW ILLUSTRATION



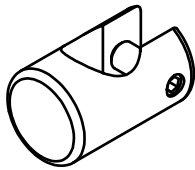
(AA8)10LB PIN(8250-071) QTY.1



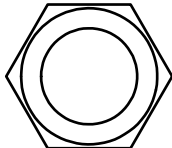
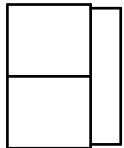
(AA9)ELASTIC BOLT QTY.1



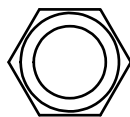
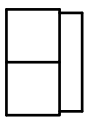
(AA11)ROUND INNER HEX SCREW
M10X30L PARTIAL QTY.1



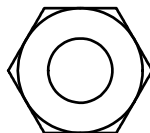
(AA12)FIRM SHEATH(8890-046) QTY.1



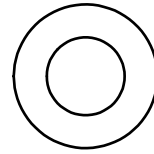
(BB2)NYLON LOCK NUT1/2" QTY.4



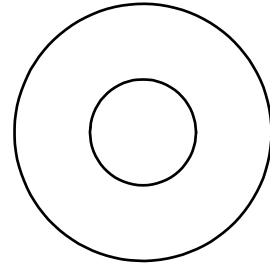
(BB3)NYLON LOCK NUT3/8" QTY.1



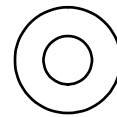
(BB4)NYLON LOCK NUT M10 QTY.1



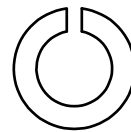
(CC1)3/8"(I.D.)FLAT WASHER Ø19 QTY.2



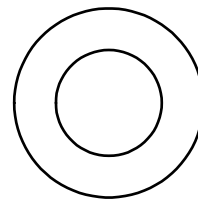
(CC2)1/2"(I.D.)FLAT WASHER Ø34 QTY.6



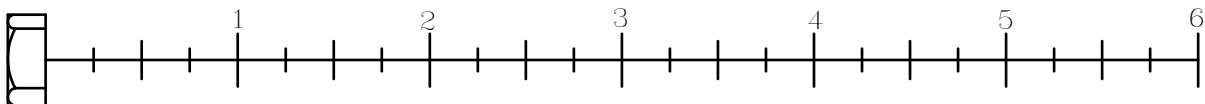
(CC3)M6(I.D.)FLAT WASHER Ø13 QTY.24



(CC6)SPRING WASHER 3/8" QTY.1



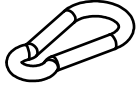
(CC7)1/2"(I.D.)FLAT WASHER Ø25 QTY.2



DCLP ASSEMBLY INSTRUCTIONS

HARDWARW ILLUSTRATION

D1



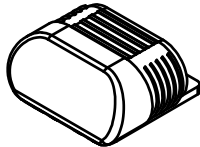
D2



D3

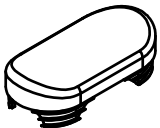


D4



- (D1) \varnothing 8 SPRING SNAP LINK(8810-001) -----[1PCS]
- (D2) \square 50X50X1.8t END CAP(9211-087) -----[2PCS]
- (D3) 50X100 NYLON BUSHING(9211-107) -----[2PCS]
- (D4) 58X116X2.5tX65H FOOT CAP(9211-109) -----[1PCS]
- (D5) 58X116X2.5t END CAP(9211-112)-----[1PCS]
- (D6) 40X80X2t END CAP(9211-113) ----- [1PCS]
- (D7) 116X58X29 RUBBER PAD(9310-057)----- [1PCS]
- (D8) \varnothing 4" 1/2" PULLEY(9213-010B) ----- [9PCS]
- (D9) \varnothing 3/4" SHAFT COLLAR(9211-046) ----- [2PCS]
- (D10) \varnothing 4" RUBBER DOUNT(9310-017)-----[2PCS]
- (D11) TOP PLATE(8400-006) ----- [1PCS]
- (D13) 95X250 RUBBER PAD(9310-060) ----- [2PCS]
- (D14) 2895 STEEL CABLE(FDCLPA) ----- [1PCS]
- (D15) 3705 STEEL CABLE(FDCLPB) ----- [1PCS]
- (D16) DLP FOR DGYM STEEL CABLE(FDCLPC)----- [1PCS]
- (D17) WEIGHT SELECTOR BAR(8210-042B) ----- [1PCS]

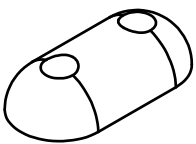
D5



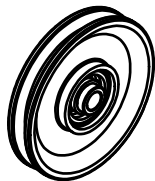
D6



D7



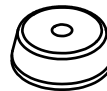
D8



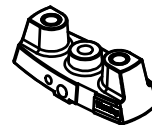
D9



D10



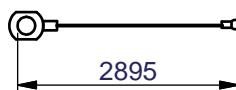
D11



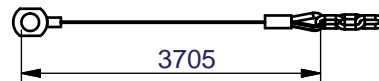
D13



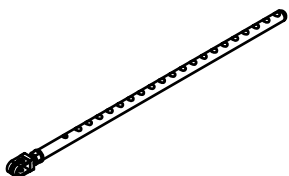
D14



D15



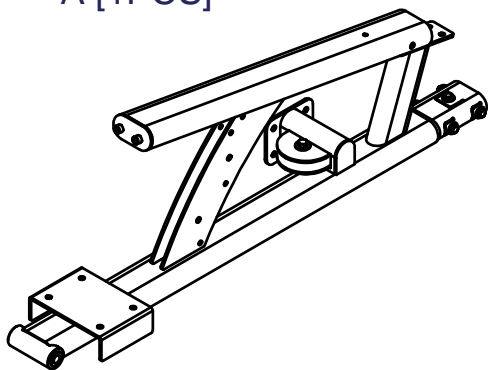
D17



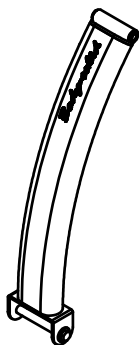
DCLP ASSEMBLY INSTRUCTIONS

PARTS ILLUSTRATION

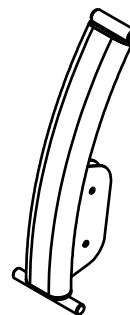
A [1PCS]



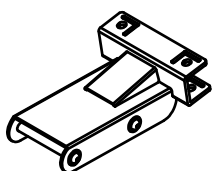
B [1PCS]



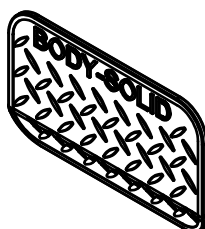
C [1PCS]



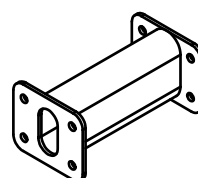
D [1PCS]



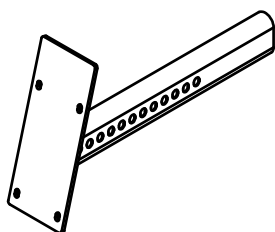
E [1PCS]



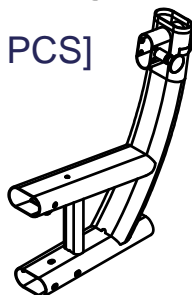
F [1PCS]



G [1PCS]

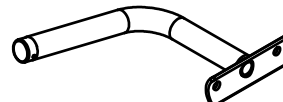


H [1PCS]

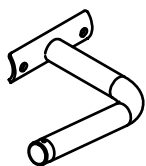


I [1PCS]

Direction



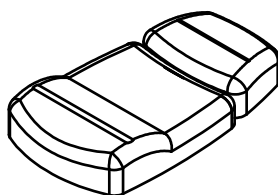
J [1PCS]



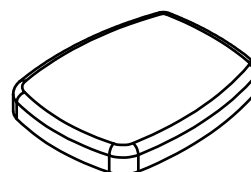
Direction



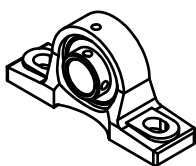
K [1PCS]
9111-055



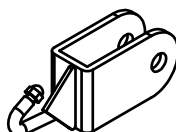
L [1PCS]
9122-040



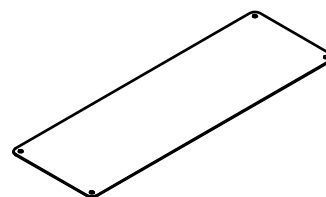
M [2PCS]
8510-005



N [1PCS]
6640-001



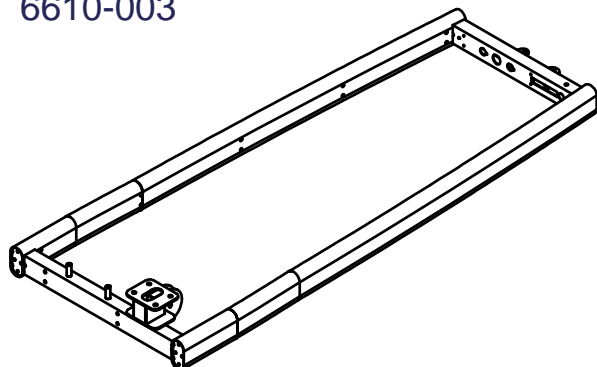
O [1PCS]
9440-160



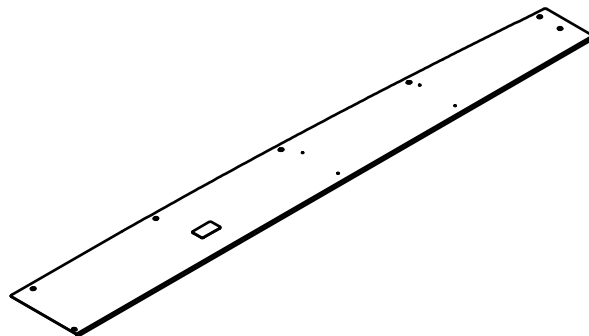
DCLP ASSEMBLY INSTRUCTIONS

PARTS ILLUSTRATION

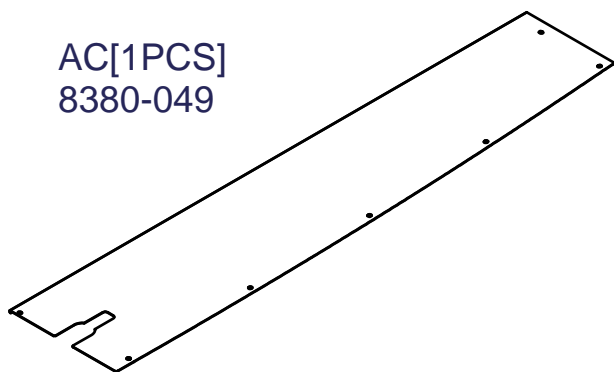
AA[1PCS]
6610-003



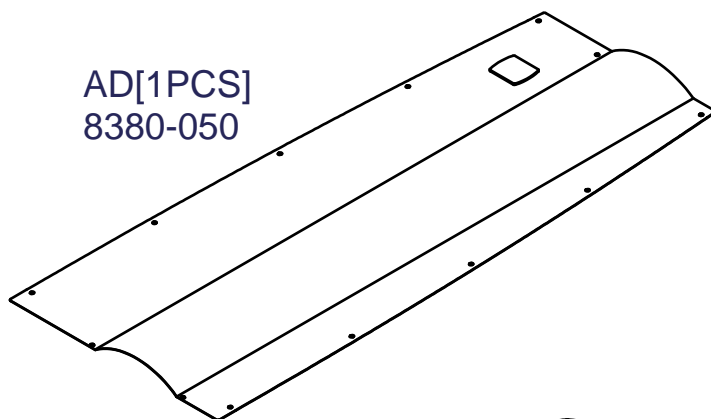
AB[1PCS]
8380-051



AC[1PCS]
8380-049



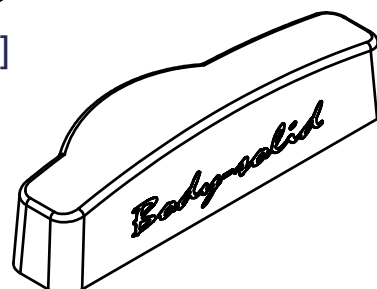
AD[1PCS]
8380-050



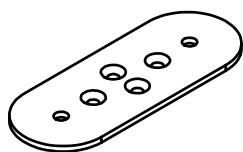
AE[2PCS]
260159 (Ø3/4"X1932L)



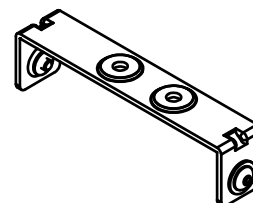
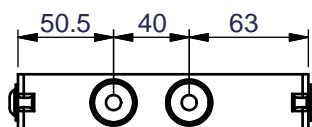
AF[1PCS]
9211-111



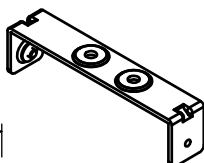
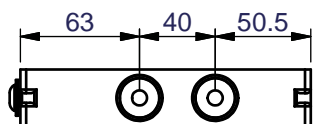
AG[2PCS]
8313-144



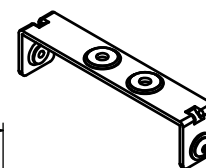
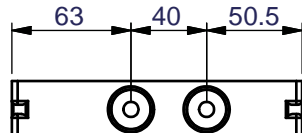
AH[11PCS]
8321-040



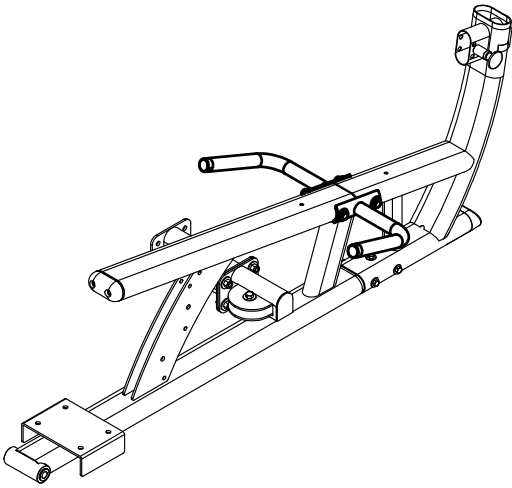
AI[1PCS]
8321-040



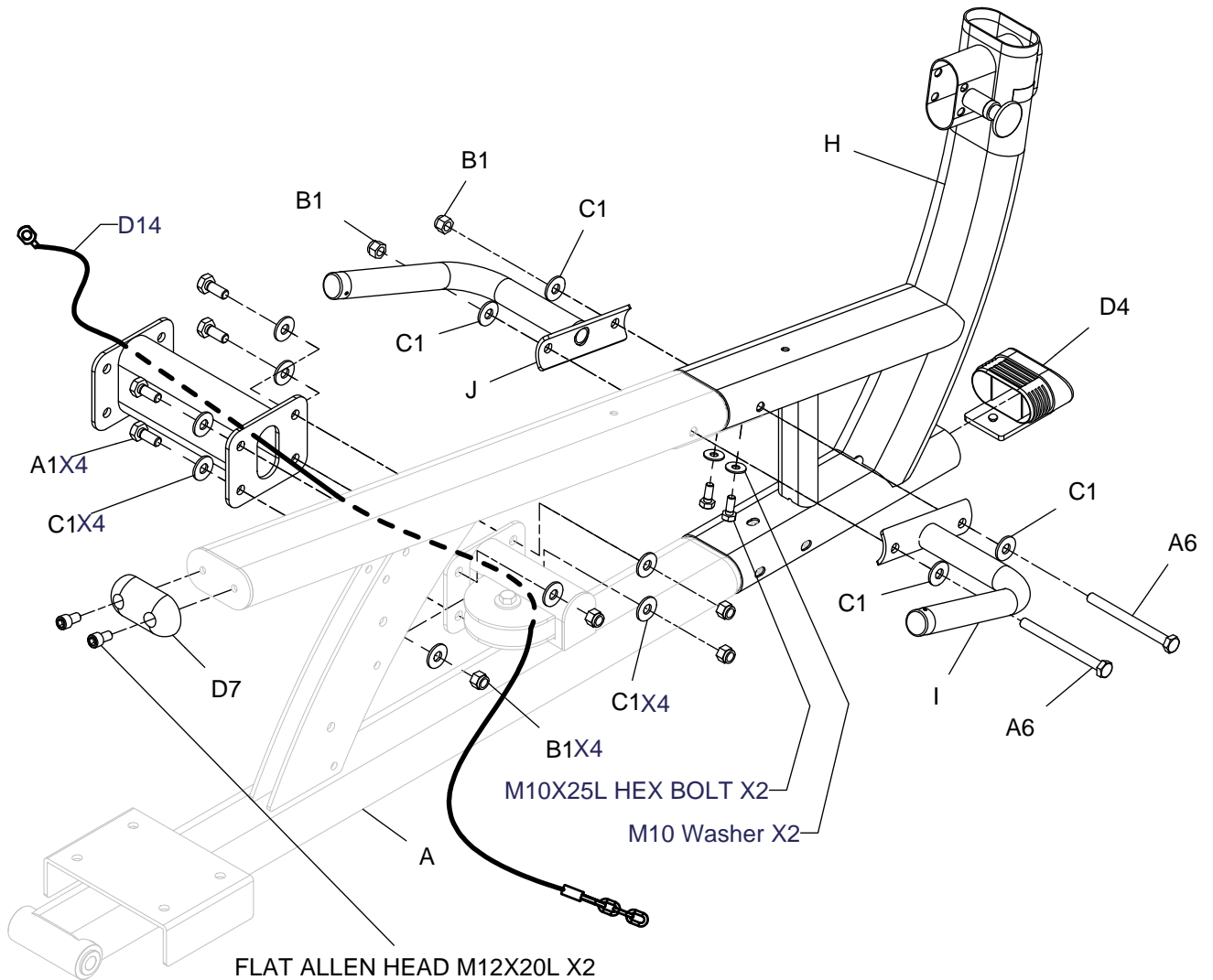
AJ[2PCS]
8321-040



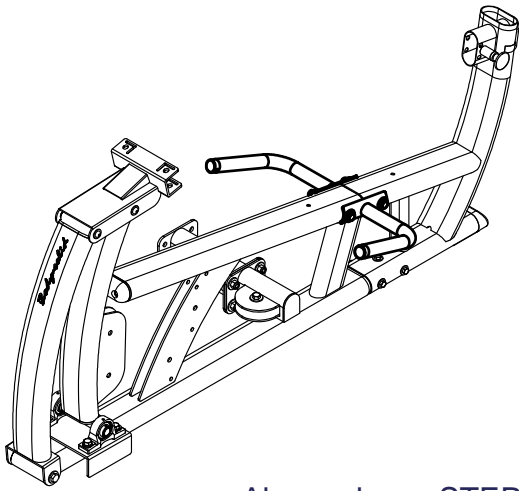
DCLP ASSEMBLY INSTRUCTIONS



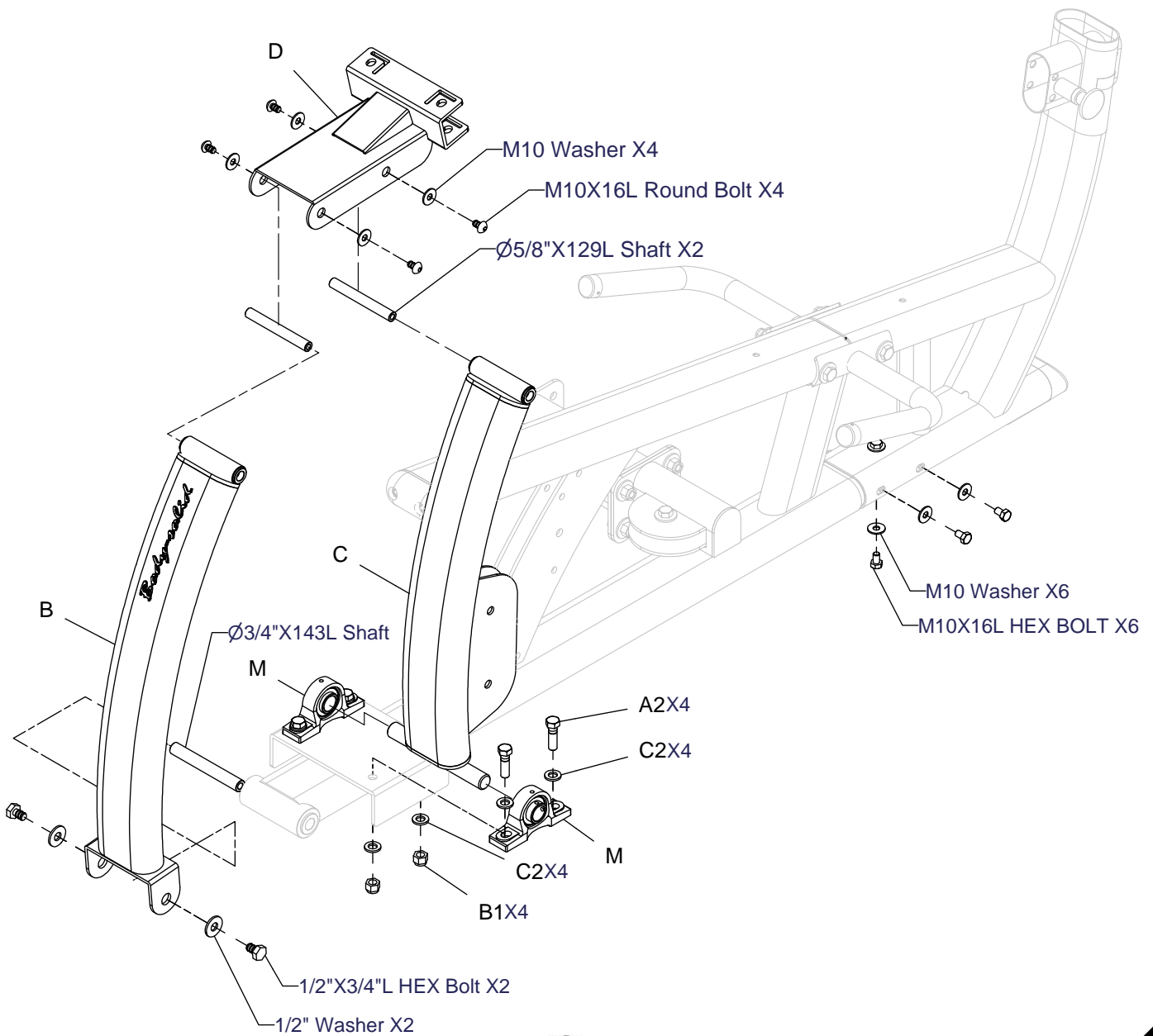
Above shows STEP 1
assembled and completed



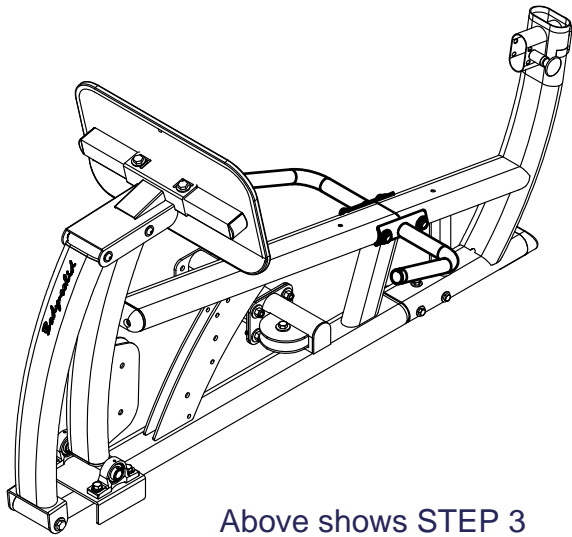
DCLP ASSEMBLY INSTRUCTIONS



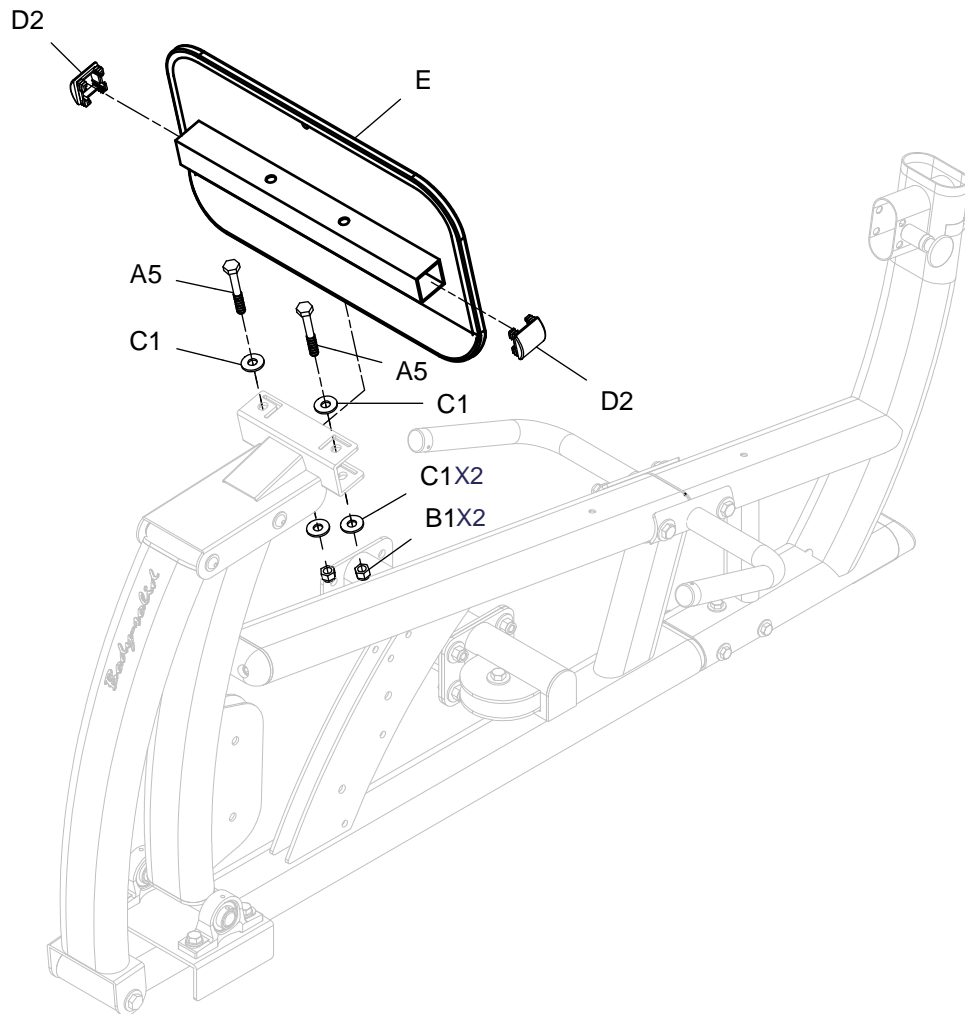
Above shows STEP 2
assembled and completed



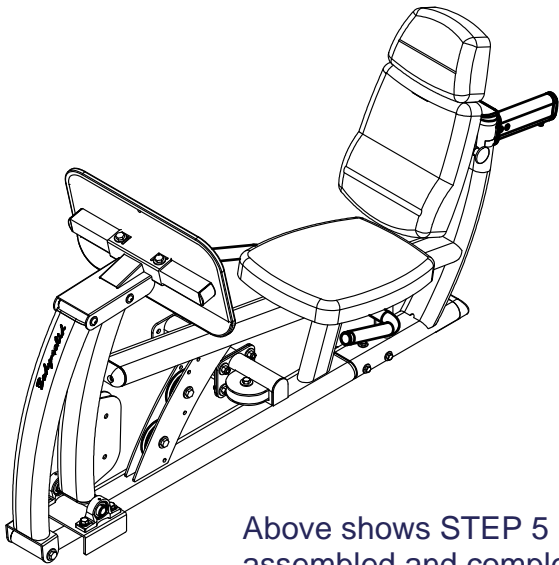
DCLP ASSEMBLY INSTRUCTIONS



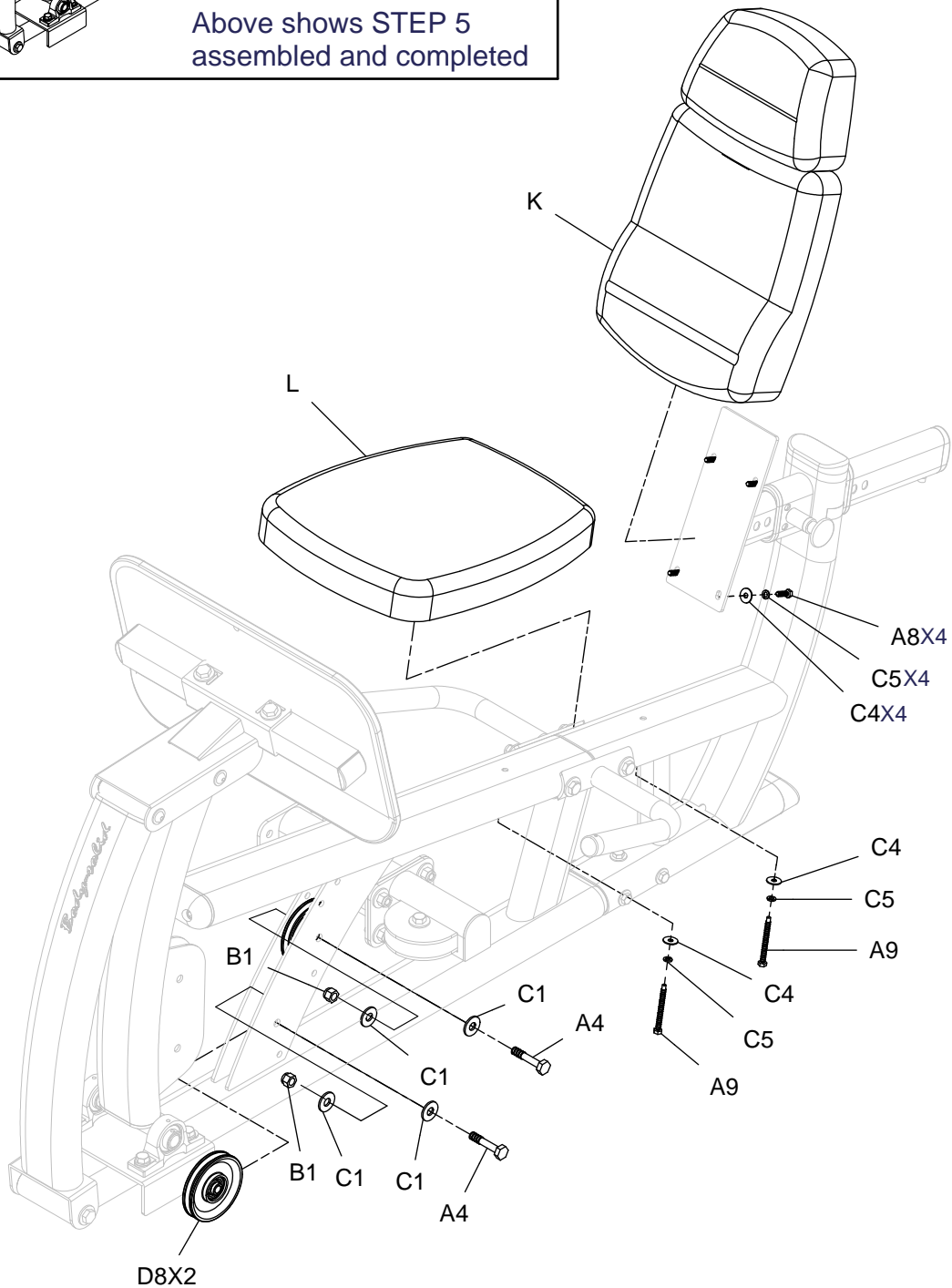
Above shows STEP 3
assembled and completed



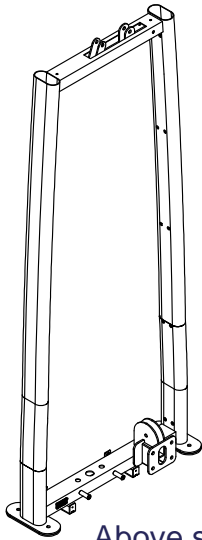
DCLP ASSEMBLY INSTRUCTIONS



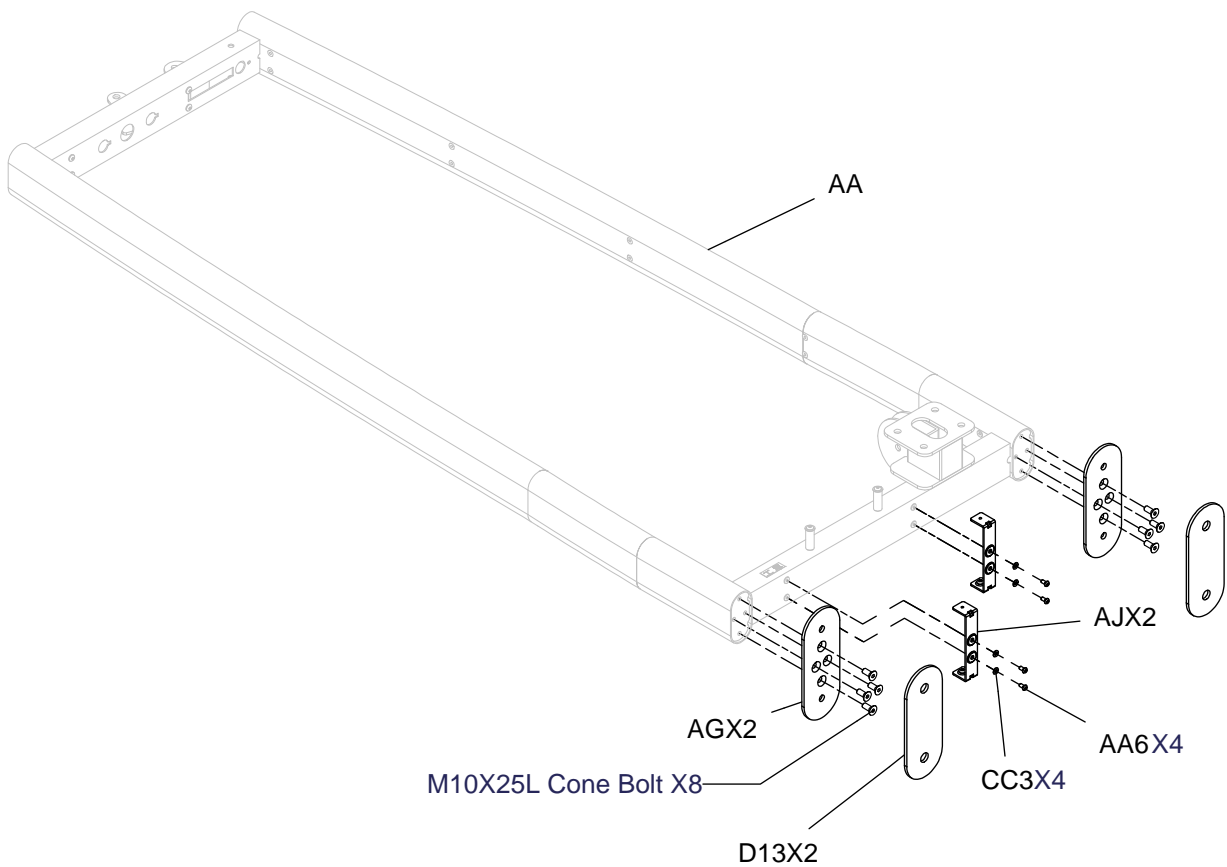
Above shows STEP 5
assembled and completed



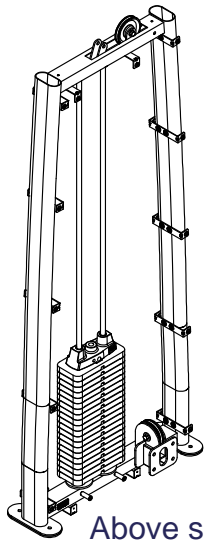
DCLP ASSEMBLY INSTRUCTIONS



Above shows STEP 6
assembled and completed

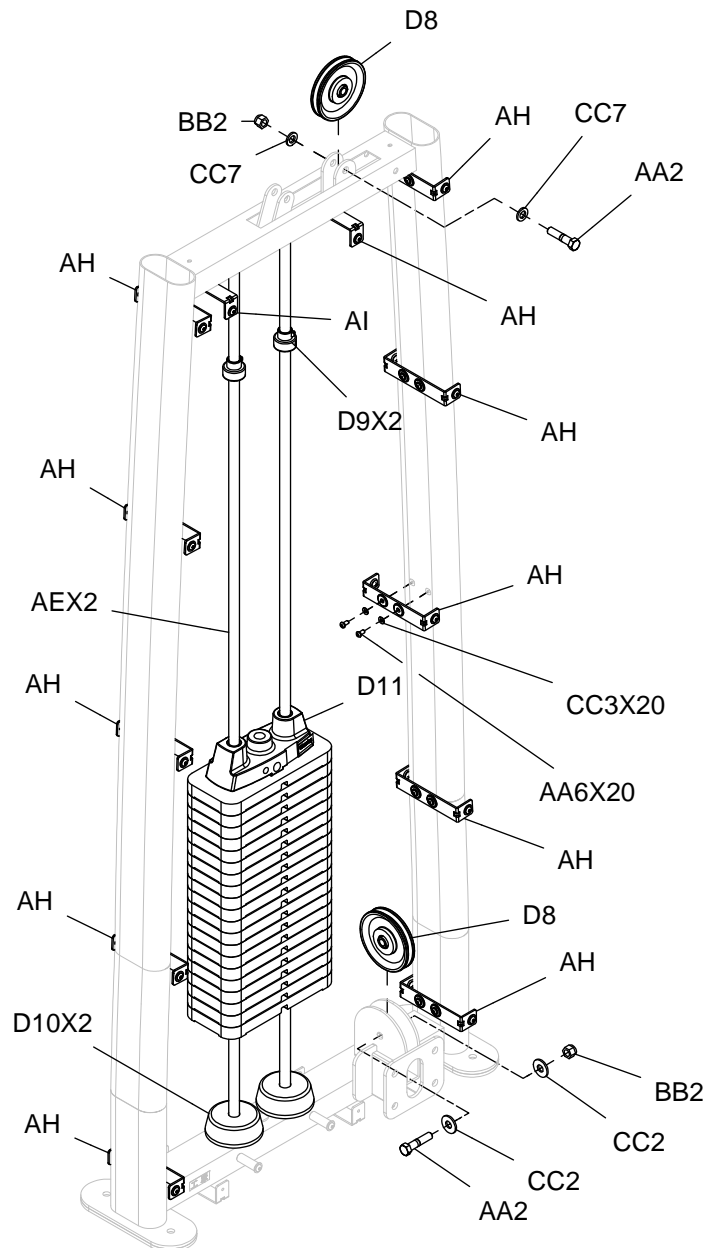


DCLP ASSEMBLY INSTRUCTIONS

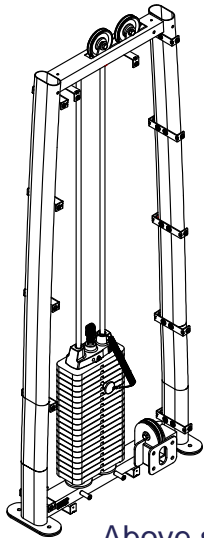


Above shows STEP 7 assembled and completed

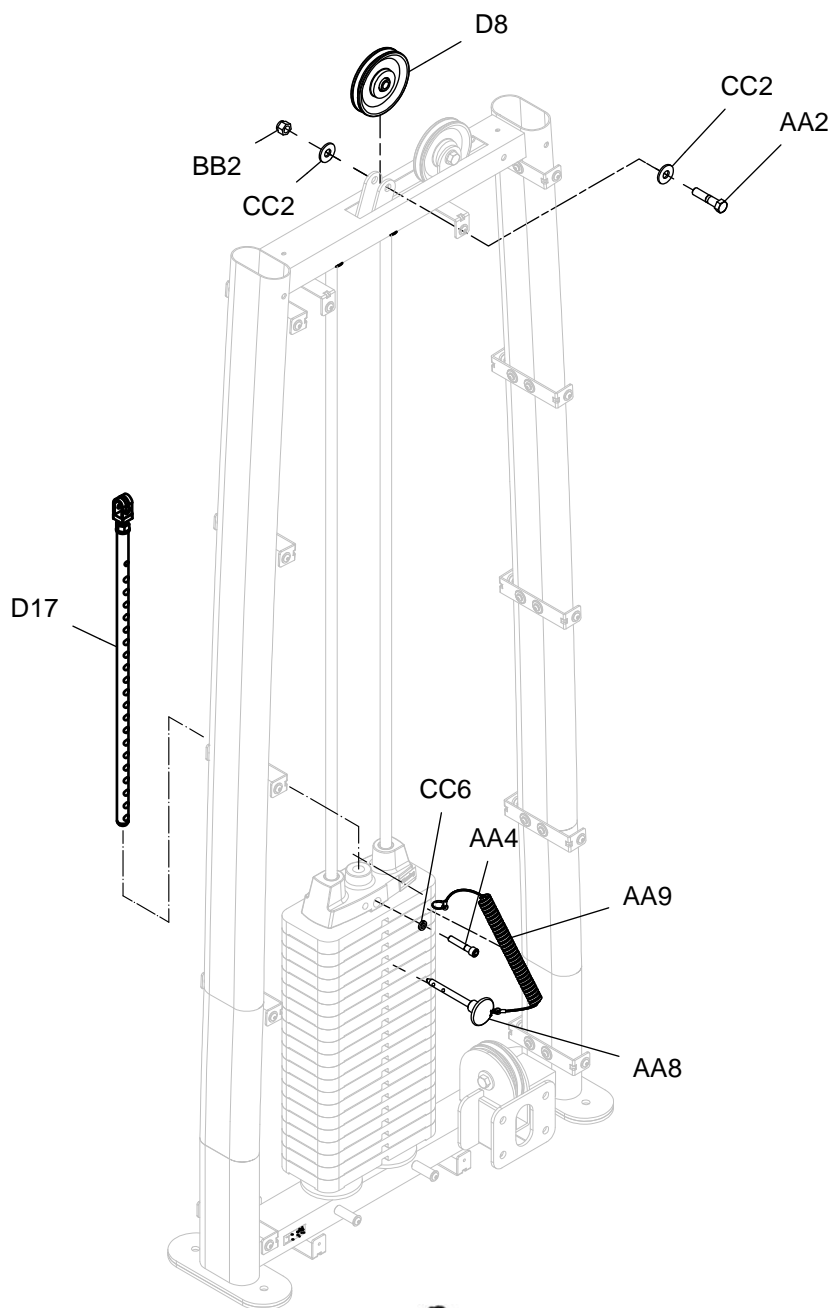
NOTE : FINGER TIGHTEN PULLEY FASTENERS PULLEYS WILL BE REMOVED TO INSTALL CABLE



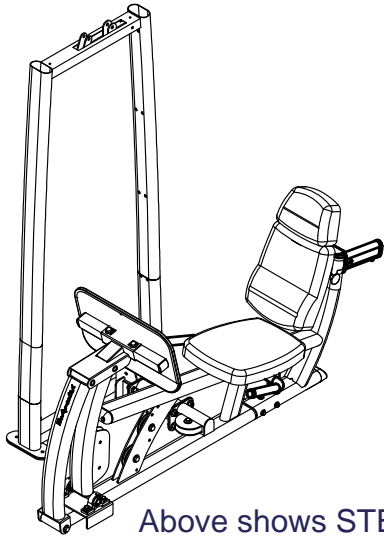
DCLP ASSEMBLY INSTRUCTIONS



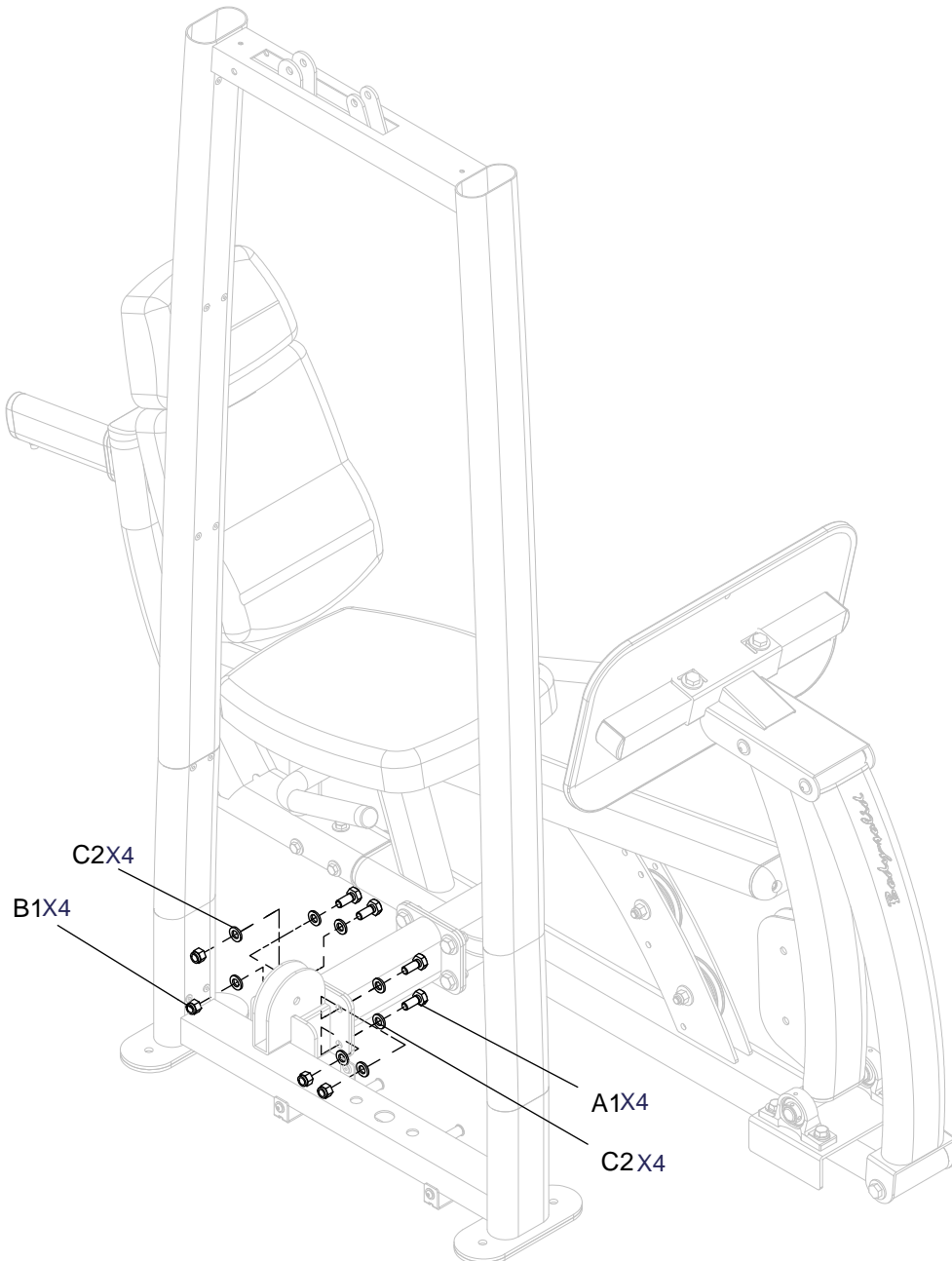
Above shows STEP 8
assembled and completed



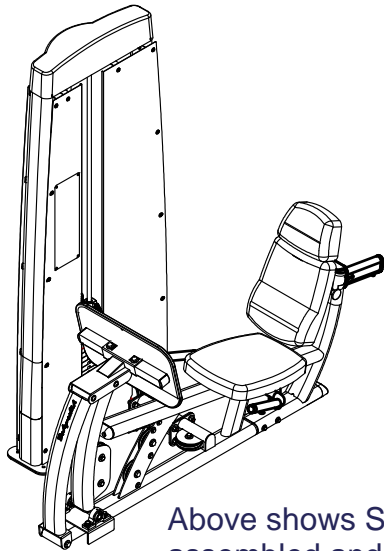
DCLP ASSEMBLY INSTRUCTIONS



Above shows STEP 9
assembled and completed



DCLP ASSEMBLY INSTRUCTIONS



Above shows STEP 10 assembled and completed

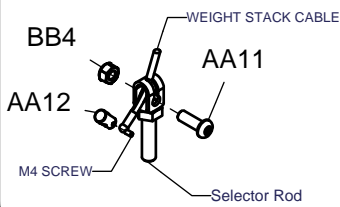
D14.



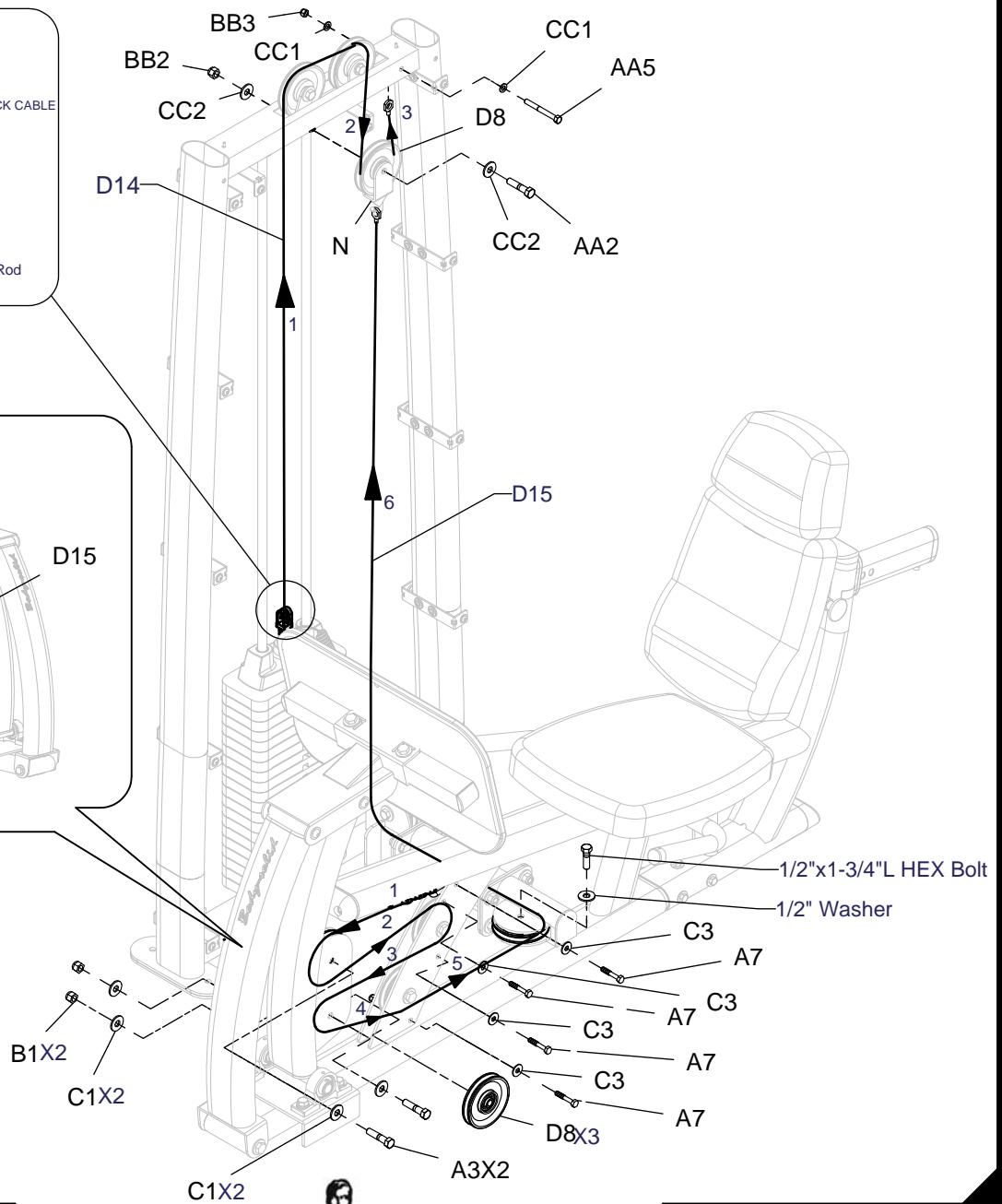
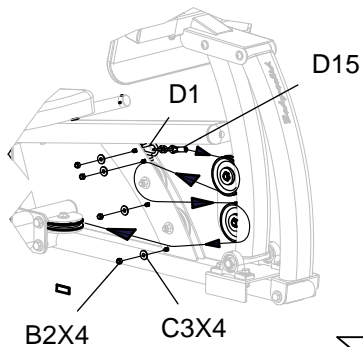
D15.



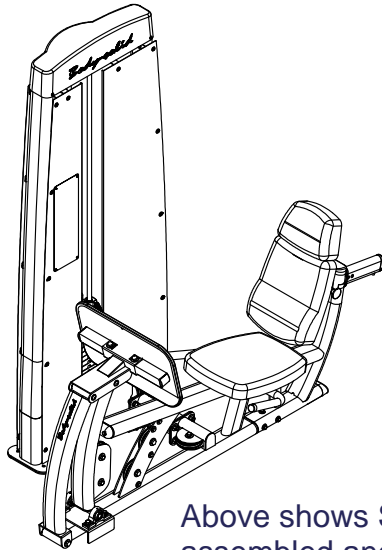
Detail View



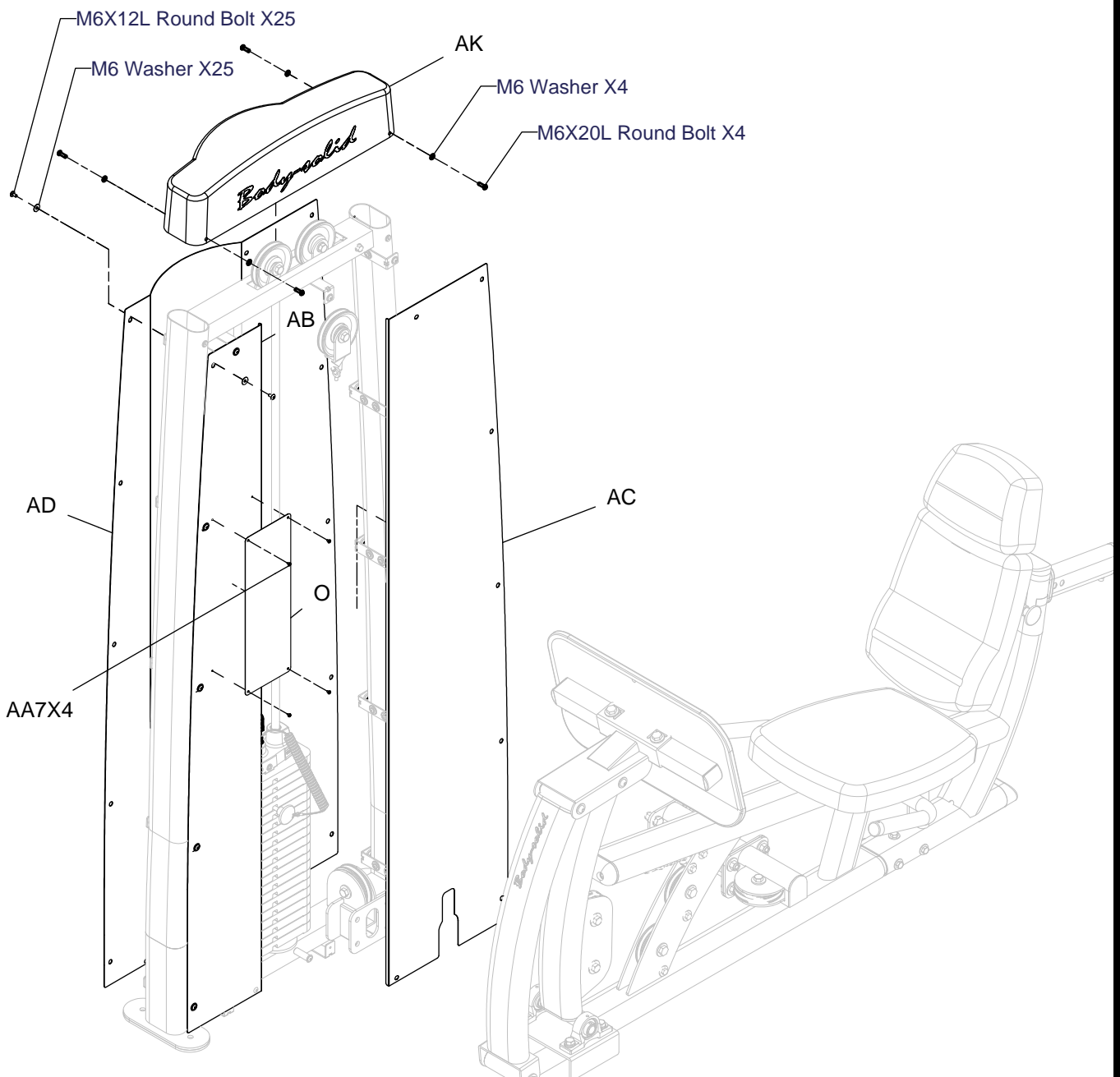
Detail View



DCLP ASSEMBLY INSTRUCTIONS

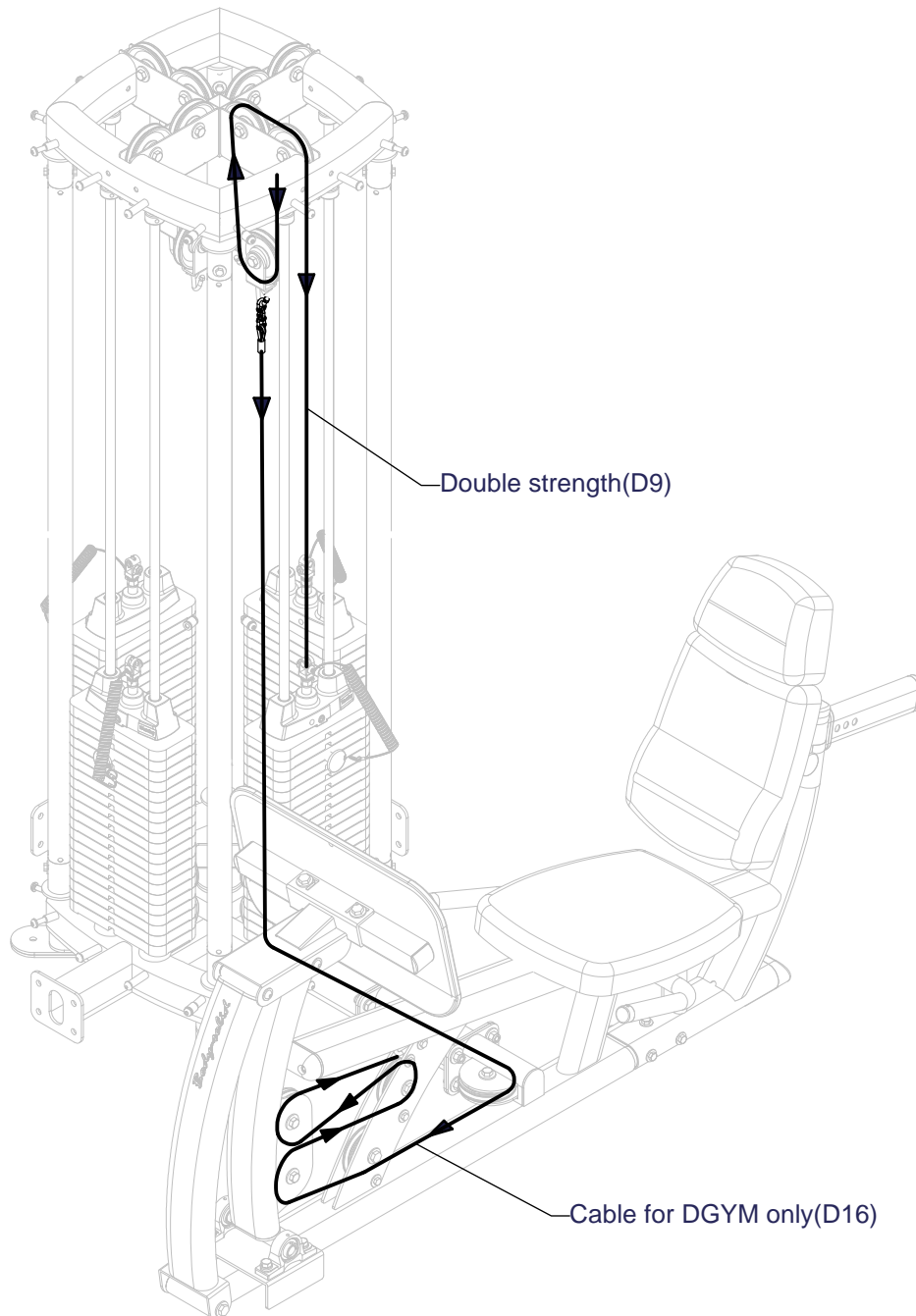


Above shows STEP 11
assembled and completed



DCLP ASSEMBLY INSTRUCTIONS

Cable to match illustration



DCLP ASSEMBLY INSTRUCTIONS

