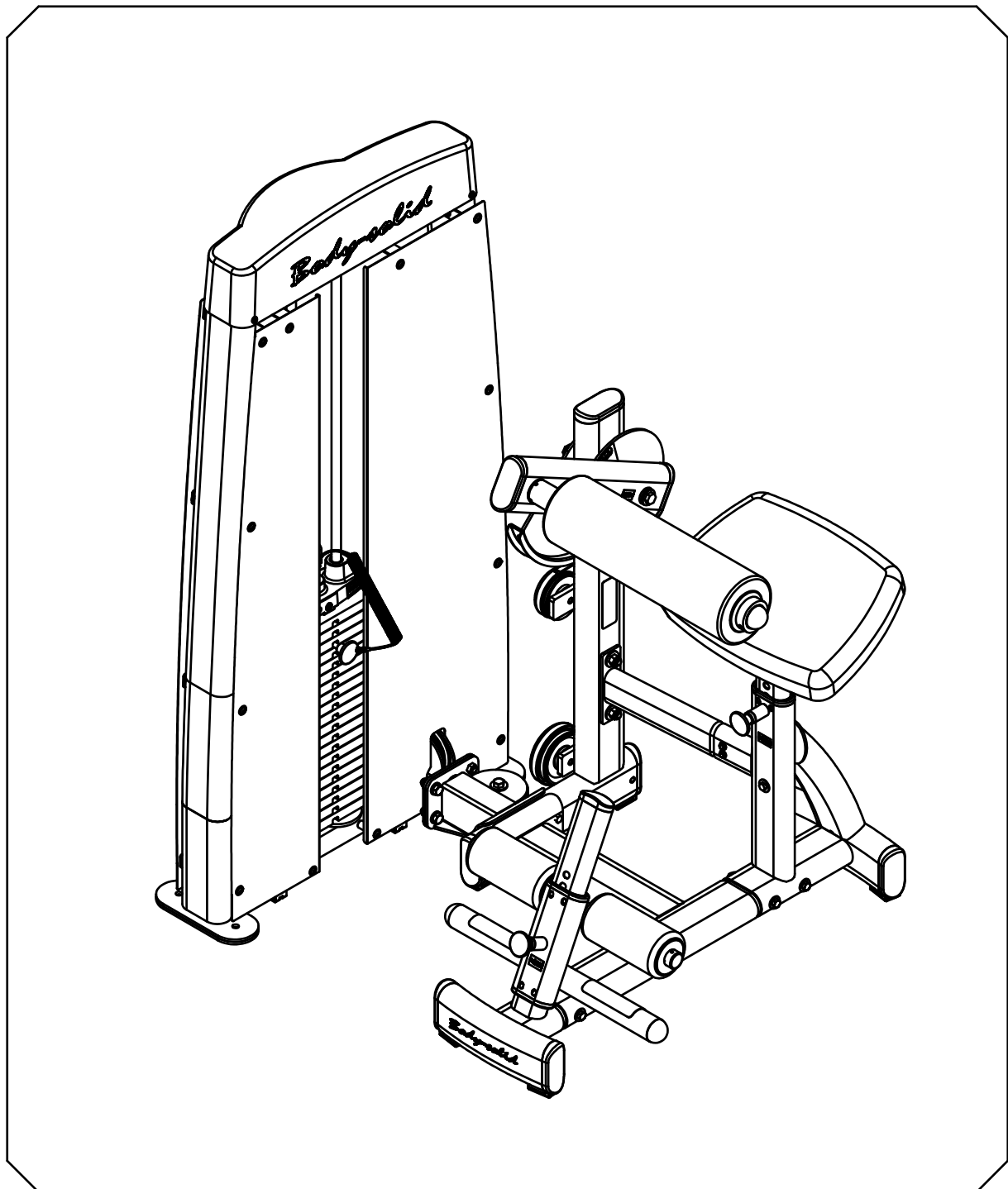


Body-Solid

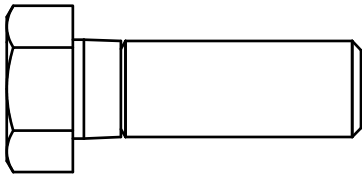


BODY-SOLID, Inc.
1900 S. Des Plaines Ave.
Forest Park, IL 60130 USA
Phone: (708) 427-3555
Fax: (708) 427-3556
www.bodysolid.com

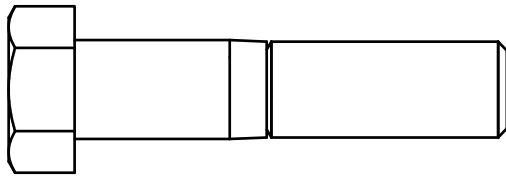
DABB.2 OWNER'S MANUAL

DABB ASSEMBLY INSTRUCTIONS

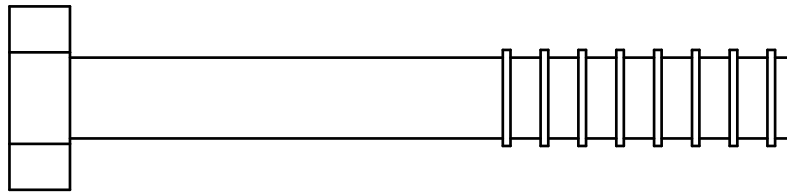
HARDWARW ILLUSTRATION



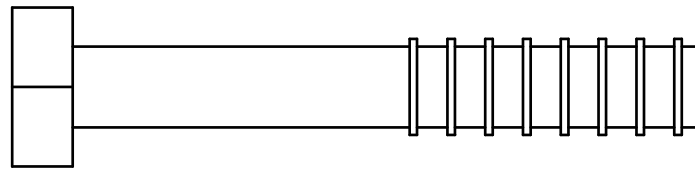
(A1)HEX BOLT 1/2"X1-1/2"L PARTIAL QTY.3



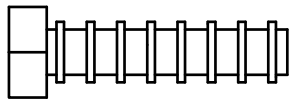
(A2)HEX BOLT 1/2"X2-1/4"L PARTIAL QTY.1



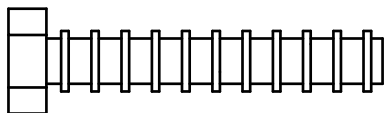
(A3)HEX BOLT 1/2"X3-3/4"L PARTIAL QTY.2



(A4)HEX BOLT 3/8"X3-1/4"L PARTIAL QTY.3



(A5)HEX BOLT 5/16"X1-1/4"L PARTIAL QTY.4

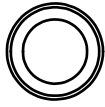


(A6)HEX BOLT 5/16"X1-3/4"L PARTIAL QTY.1

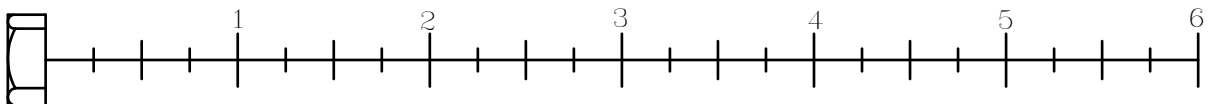


DABB ASSEMBLY INSTRUCTIONS

HARDWARW ILLUSTRATION

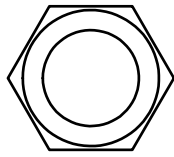
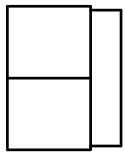


(A7)STEEL BUSHING $\text{Ø}1/2\text{''}\times\text{Ø}8.5\text{X}21\text{L}$ QTY.1

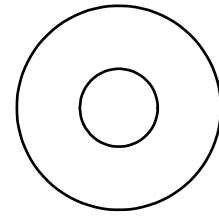


DABB ASSEMBLY INSTRUCTIONS

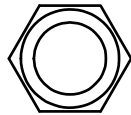
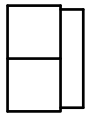
HARDWARW ILLUSTRATION



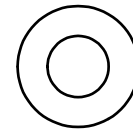
(B1) NYLON LOCK NUT 1/2" QTY.6



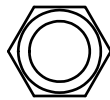
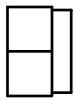
(C3) 3/8" (I.D.) FLAT WASHER Ø27 QTY.6



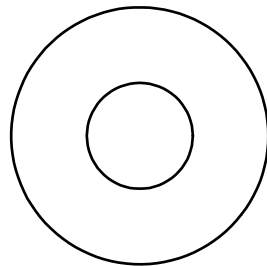
(B2) NYLON LOCK NUT 3/8" QTY.3



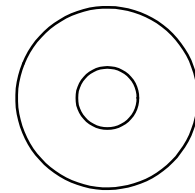
(C4) 5/16" (I.D.) FLAT WASHER Ø16 QTY.2



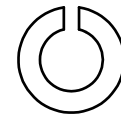
(B3) NYLON LOCK NUT 5/16" QTY.1



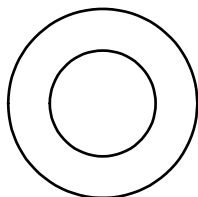
(C1) 1/2" (I.D.) FLAT WASHER Ø34 QTY.6



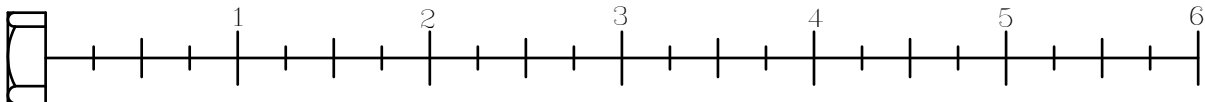
(C5) 5/16" (I.D.) FLAT WASHER Ø24 QTY.4



(C6) SPRING WASHER 5/16" QTY.4

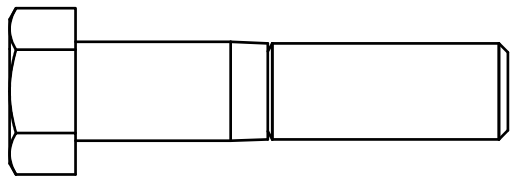


(C2) 1/2" (I.D.) FLAT WASHER Ø25 QTY.6

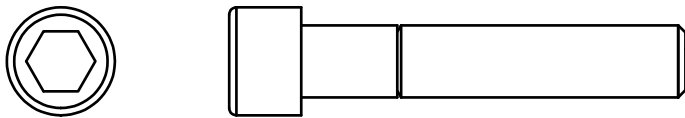


DABB ASSEMBLY INSTRUCTIONS

HARDWARW ILLUSTRATION



(AA2)HEX BOLT 1/2"X2-1/4"L PARTIAL QTY.3



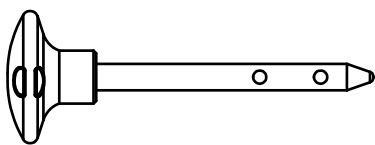
(AA4)ROUND INNER HEAD 3/8"X2"L PARTIAL QTY.1



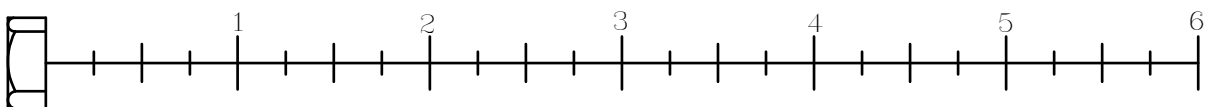
(AA5)ROUND INNER HEX SCREW M6X20L PARTIAL QTY.20



(AA6)ROUND CROSS SCREW 5/32"X1/4"L PARTIAL QTY.4

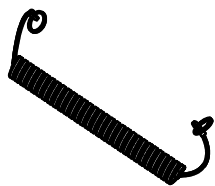


(AA7)10LB PIN(8250-071) QTY.1

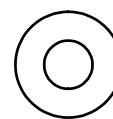


DABB ASSEMBLY INSTRUCTIONS

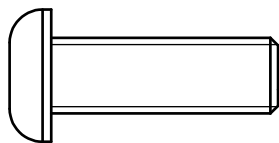
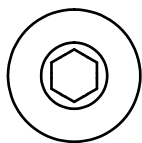
HARDWARW ILLUSTRATION



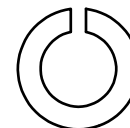
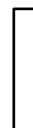
(AA8)ELASTIC BOLT QTY.1



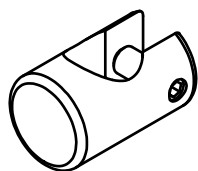
(CC2)M6(I.D.)FLAT WASHER Ø13 QTY.20



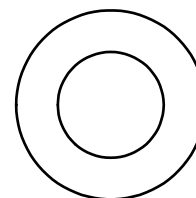
(AA10)ROUND INNER HEX SCREW
M10X30L PARTIAL QTY.1



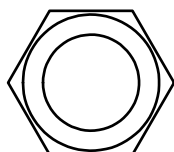
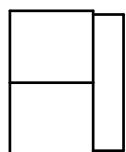
(CC5)SPRING WASHER 3/8" QTY.1



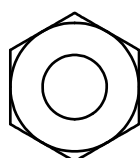
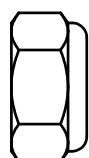
(AA11)FIRM SHEATH(8890-046) QTY.1



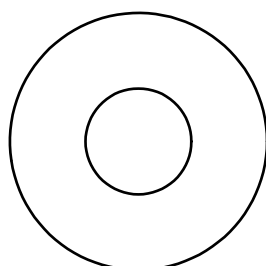
(CC6)1/2"(I.D.)FLAT WASHER Ø25 QTY.2



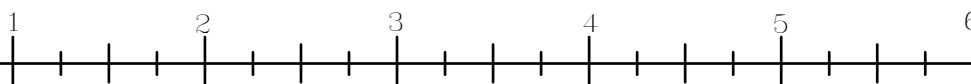
(BB2)NYLON LOCK NUT1/2" QTY.3



(BB3)NYLON LOCK NUT M10 QTY.1




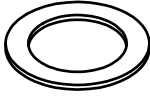
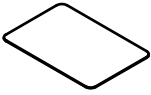



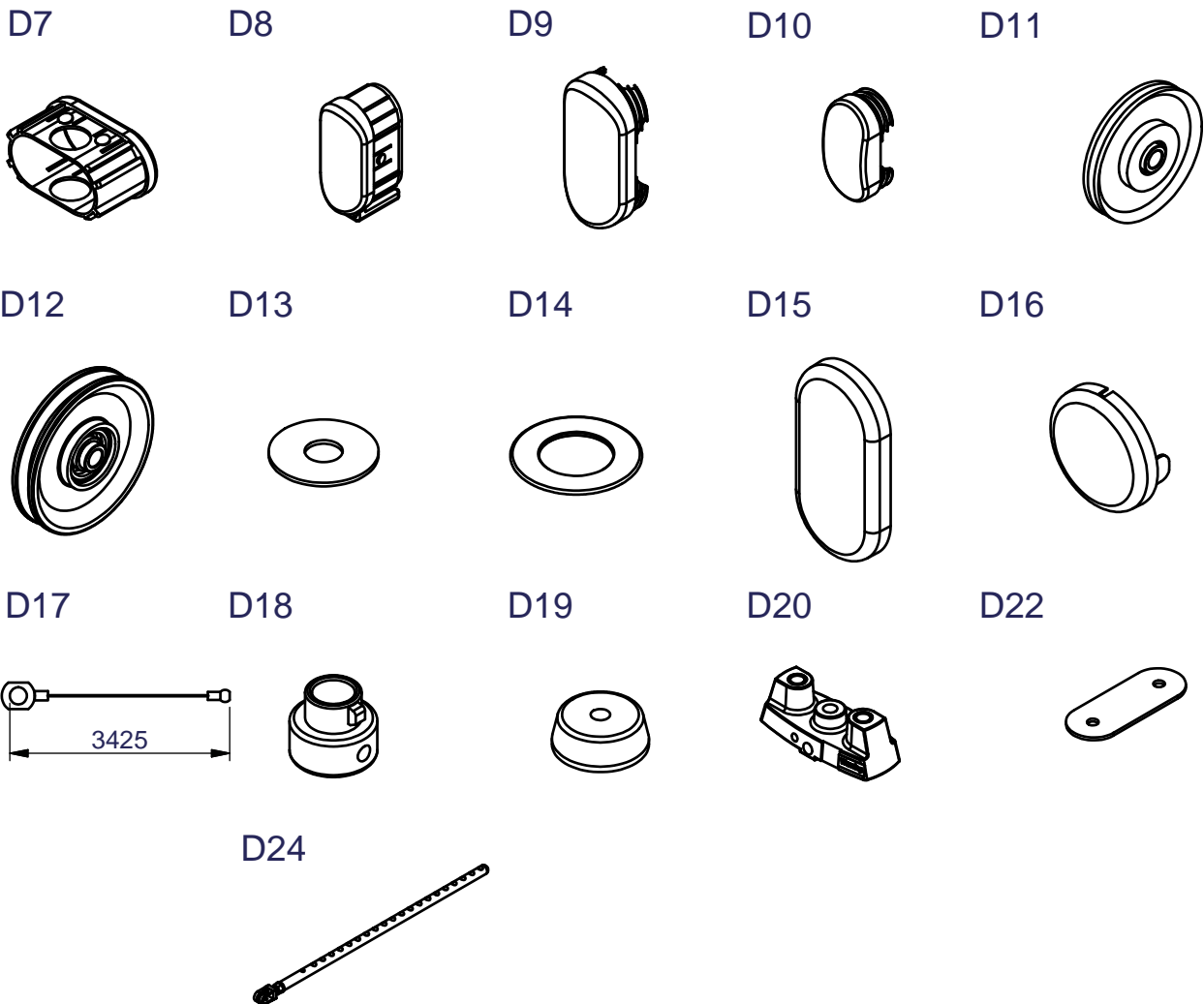
(CC1)1/2"(I.D.)FLAT WASHER Ø34 QTY.4



DABB ASSEMBLY INSTRUCTIONS

HARDWARW ILLUSTRATION

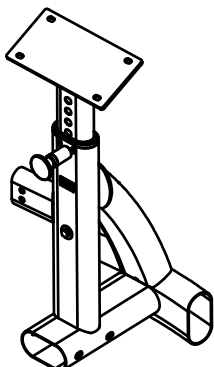
- | | | |
|---|---|--|
| D1 | D2 | (D1) $\phi 3/4$ "X13.5X8L STEEL BUSHING(8110-014)-----[2PCS] |
|  |  | (D2) $\phi 38$ "X $\phi 25.2$ X27L STEEL BUSHING(8130-159) -----[1PCS] |
| D3 | D4 | (D3) $\phi 30$ "X $\phi 20$ X1.5t CU WASHER(8520-007) -----[1PCS] |
|  |  | (D4) $\phi 38$ "X $\phi 26$ X1.5t CU WASHER(8520-008) -----[1PCS] |
| D5 | D6 | (D5) 95X140L RUBBER PAD(9310-035) -----[2PCS] |
|  |  | (D6) $\phi 50$ ROUND END CAP(9211-074) -----[3PCS] |
| | | (D7) 50X100 NYLON BUSHING(9211-107)-----[2PCS] |
| | | (D8) 58X116X2.5t FOOT CAP(9211-108) -----[6PCS] |
| | | (D9) 58X116X2.5t END CAP(9211-112) -----[3PCS] |
| | | (D10) 40X80X2t END CAP(9211-113) -----[1PCS] |
| | | (D11) $\phi 4$ " PULLEY(9213-017A) -----[2PCS] |
| | | (D12) $\phi 4$ 1/2" PULLEY(9213-010B) -----[5PCS] |
| | | (D13) $\phi 75$ X3tX $\phi 26$ NYLON WASHER(9214-008) -----[4PCS] |
| | | (D14) $\phi 90$ X $\phi 51$ X3t NYLON WASHER(9214-022)-----[2PCS] |
| | | (D15) 207X105X23 PULLEY CAP(9211-115) -----[1PCS] |
| | | (D16) $\phi 131$ X30 PULLEY CAP(9211-116)-----[1PCS] |
| | | (D17) 3425mm STEEL CABLE(FDABBA) -----[1PCS] |
| | | (D18) $\phi 3/4$ " SHAFT COLLAR(9211-046) -----[2PCS] |
| | | (D19) $\phi 4$ "RUBBER DOUNT(9310-017) -----[2PCS] |
| | | (D20) TOP PLATE(8400-006) -----[1PCS] |
| | | (D22) 95X250 RUBBER PAD(9310-060) -----[2PCS] |
| | | (D23) DABB FOR DGYM STEEL CABLE(FDABBB) -----[1PCS] |
| | | (D24) WEIGHT SELECTOR BAR(8210-042B) -----[1PCS] |



DABB ASSEMBLY INSTRUCTIONS

PARTS ILLUSTRATION

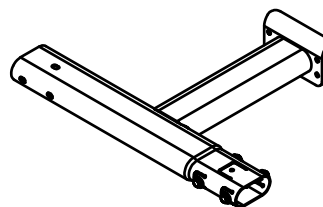
A [1PCS]



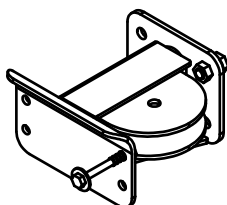
B1 [1PCS]



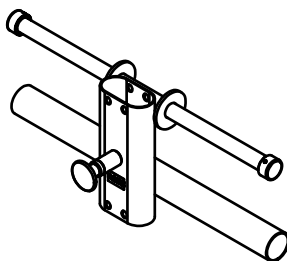
C [1PCS]



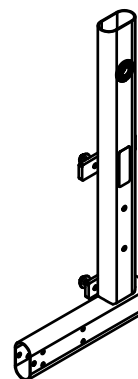
D [1PCS]



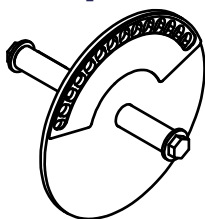
E1[1PCS]



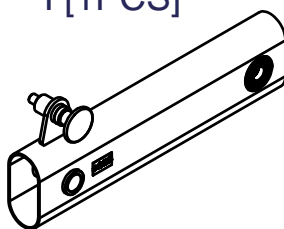
F [1PCS]



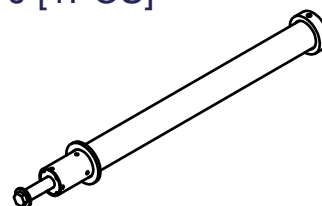
H [1PCS]



I [1PCS]



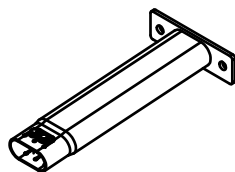
J [1PCS]



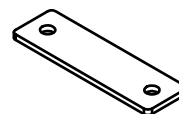
K [1PCS]



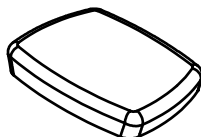
L [1PCS]



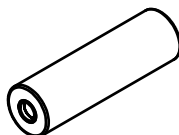
M [1PCS]
8321-091



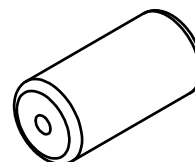
N [1PCS]
9122-039



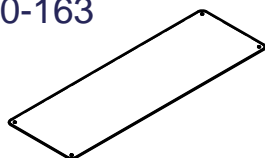
O [1PCS]
9161-047



P [2PCS]
9161-032



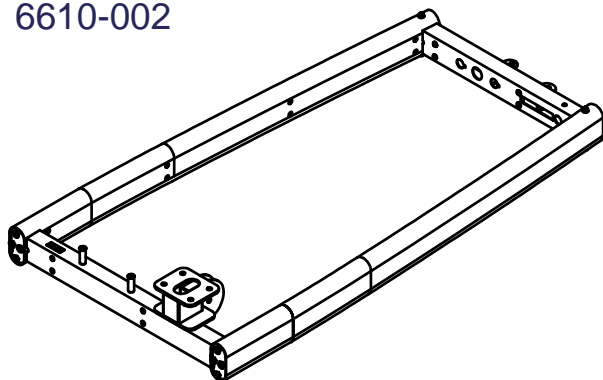
Q [1PCS]
9440-163



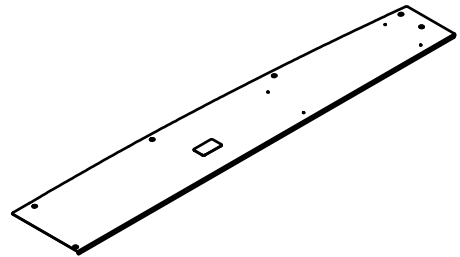
DABB ASSEMBLY INSTRUCTIONS

PARTS ILLUSTRATION

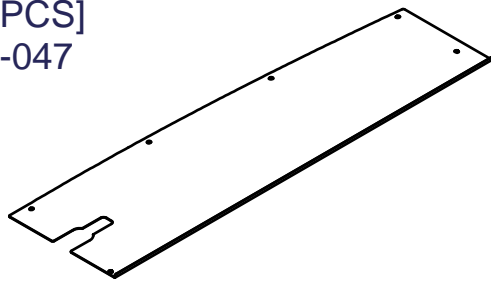
AA[1PCS]
6610-002



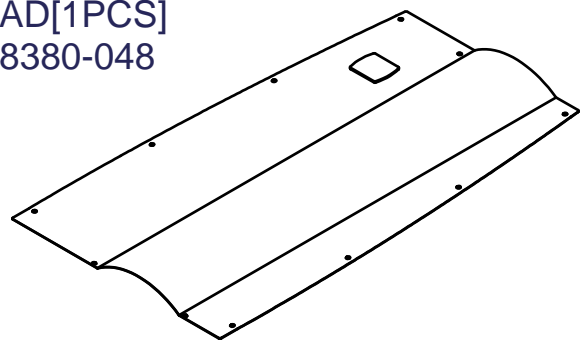
AB[1PCS]
8380-046



AC[1PCS]
8380-047



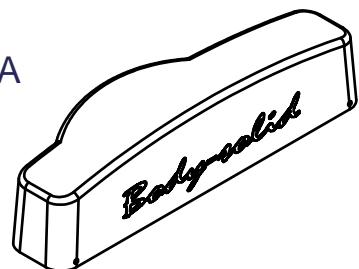
AD[1PCS]
8380-048



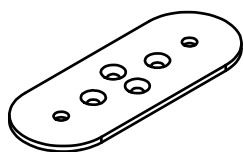
AE[2PCS]
260158A \varnothing 3/4"X1.6tX1407L



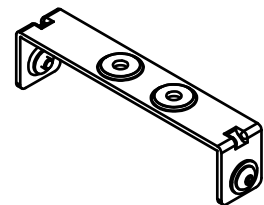
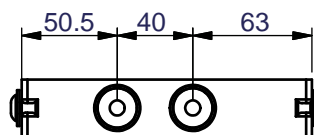
AK1PCS]
9211-111A



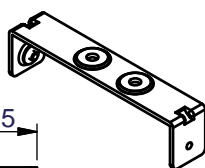
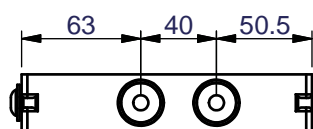
AG[2PCS]
8313-144



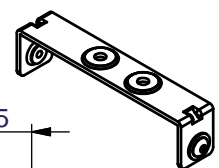
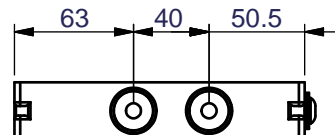
AH[9PCS]
8321-040



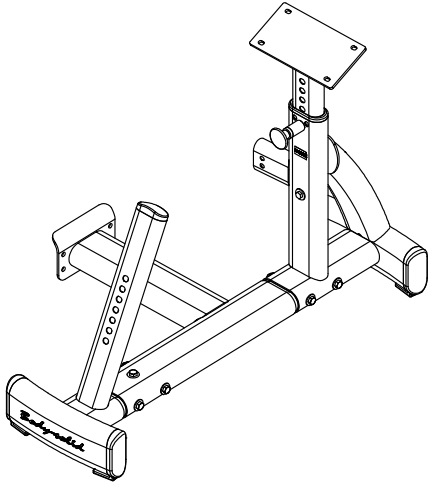
AI[1PCS]
8321-040



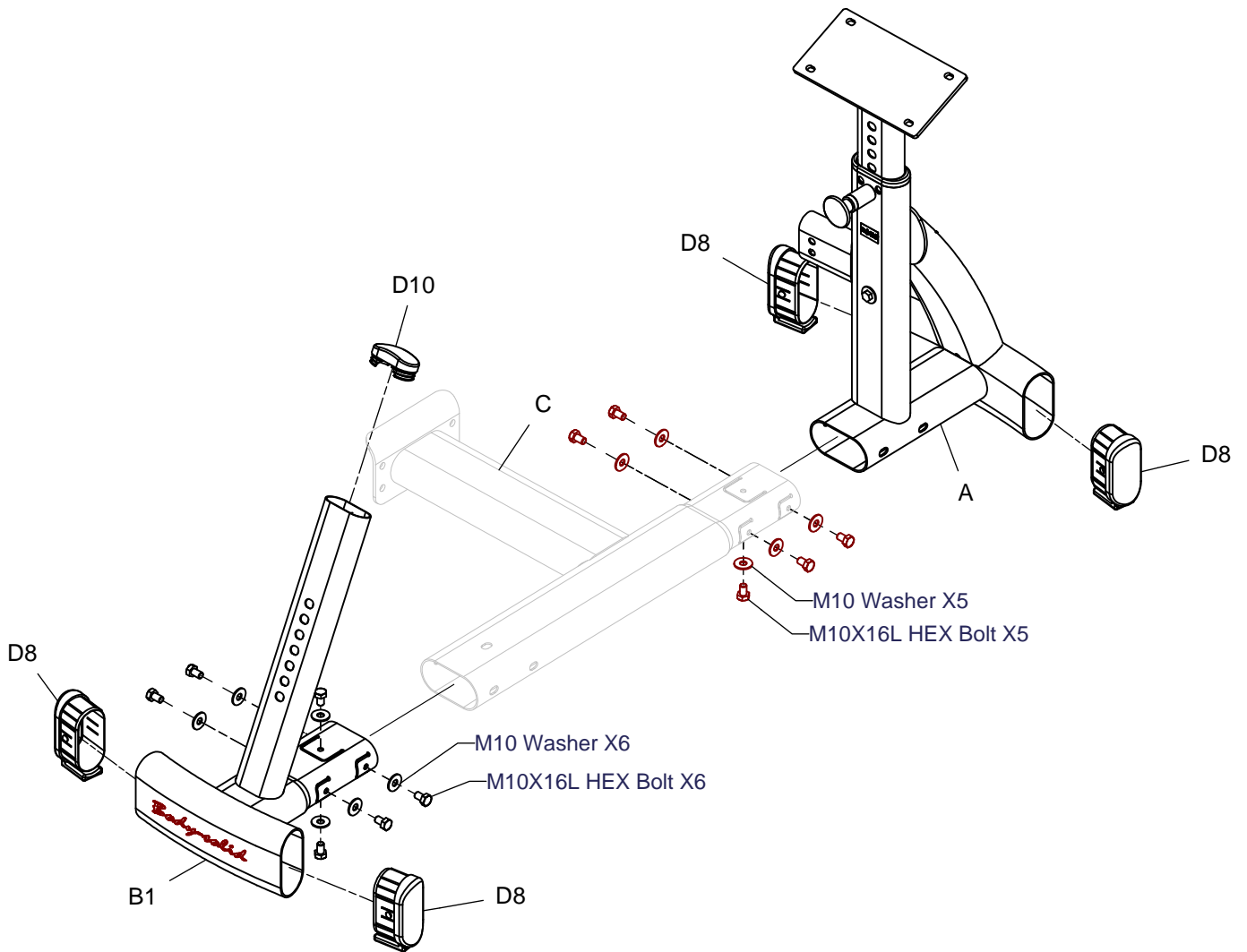
AJ[2PCS]
8321-040



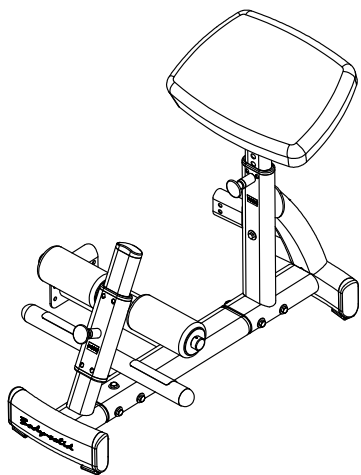
DABB ASSEMBLY INSTRUCTIONS



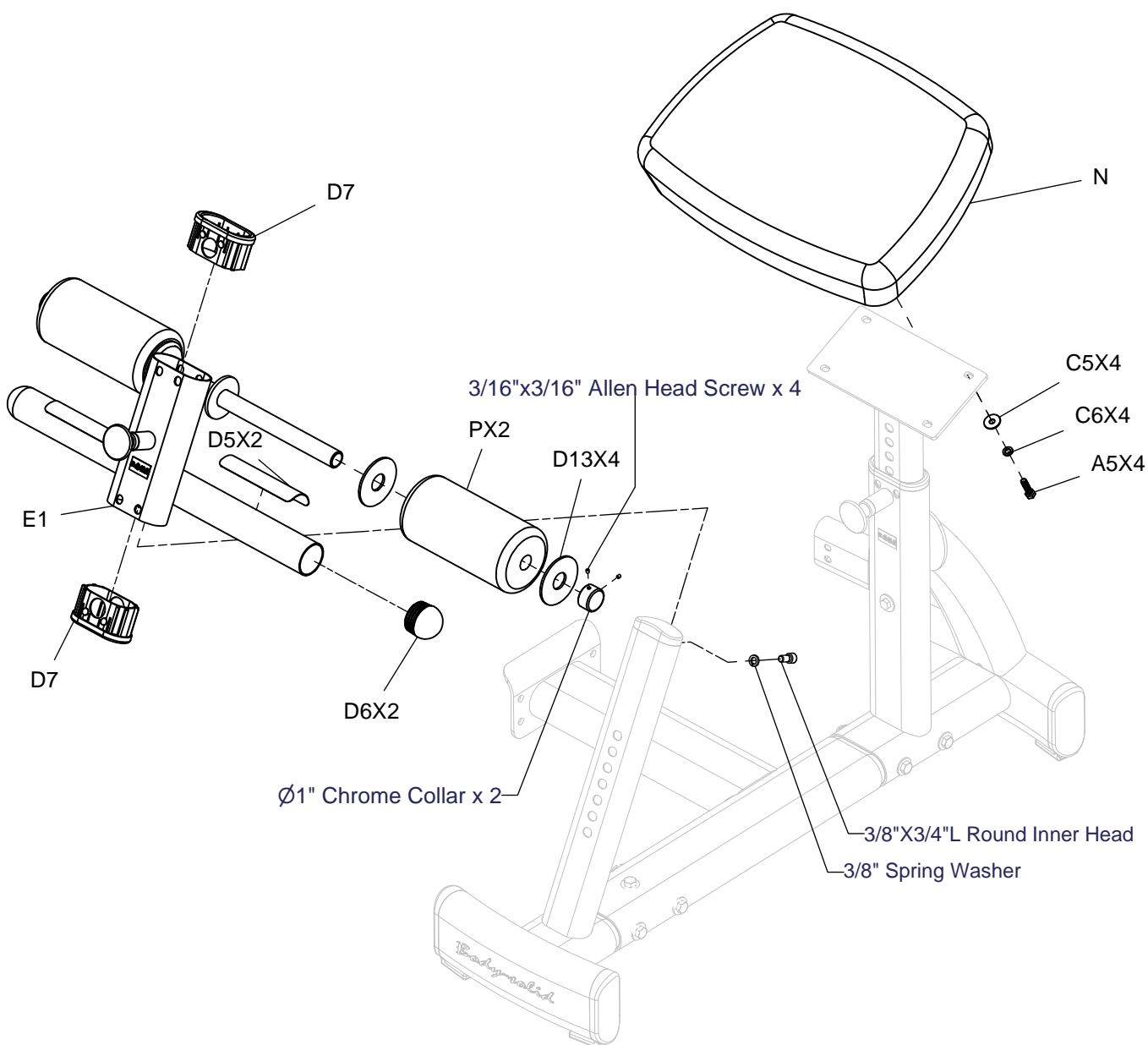
Above shows STEP 1
assembled and completed



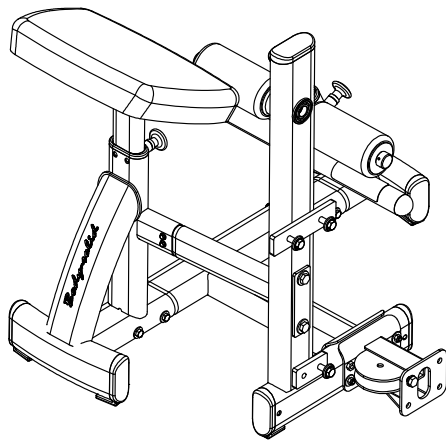
DABB ASSEMBLY INSTRUCTIONS



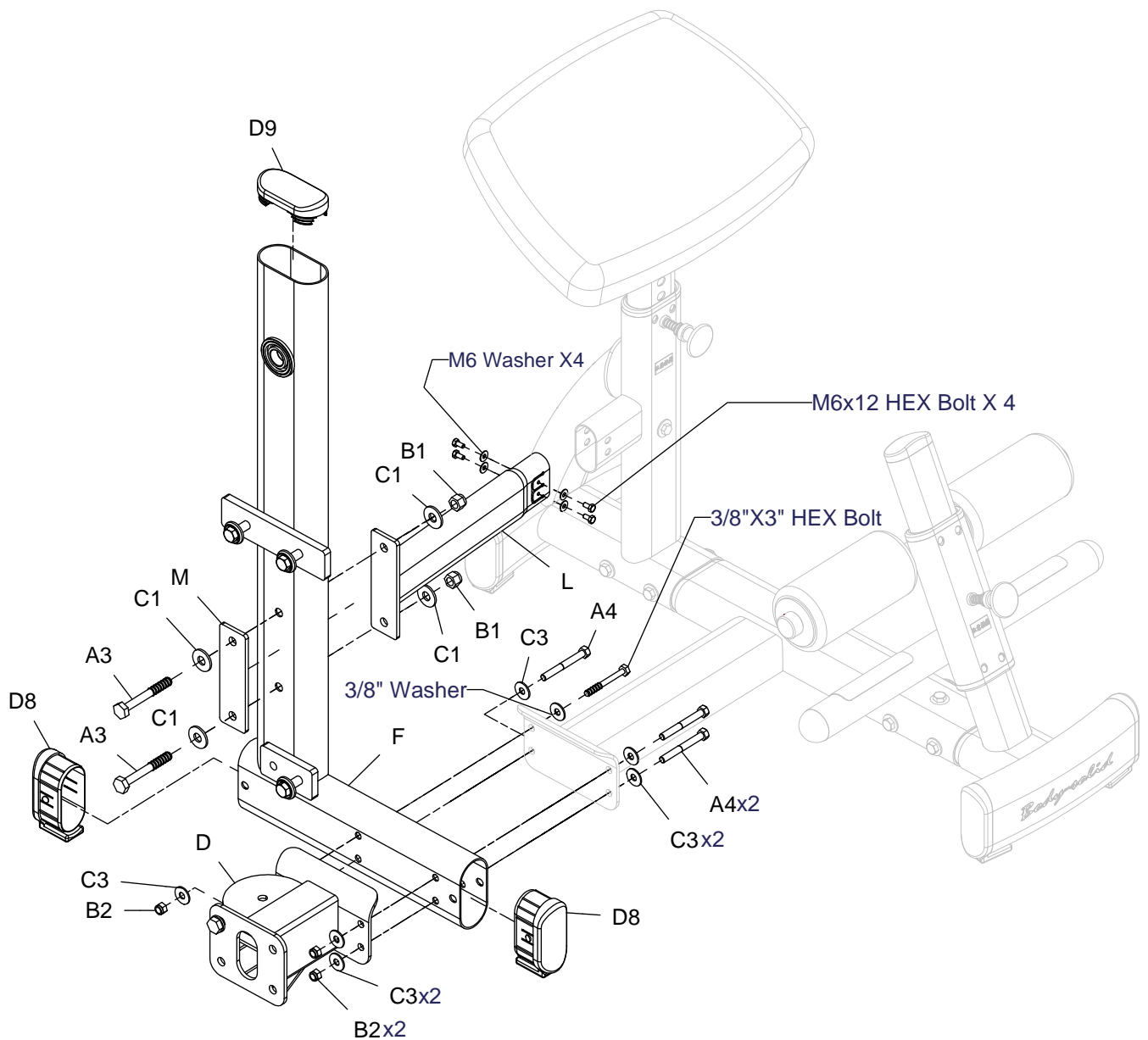
Above shows STEP 2
assembled and completed



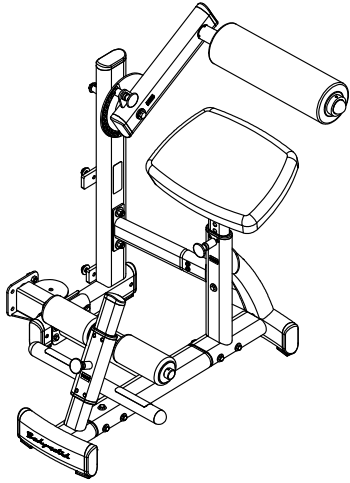
DABB ASSEMBLY INSTRUCTIONS



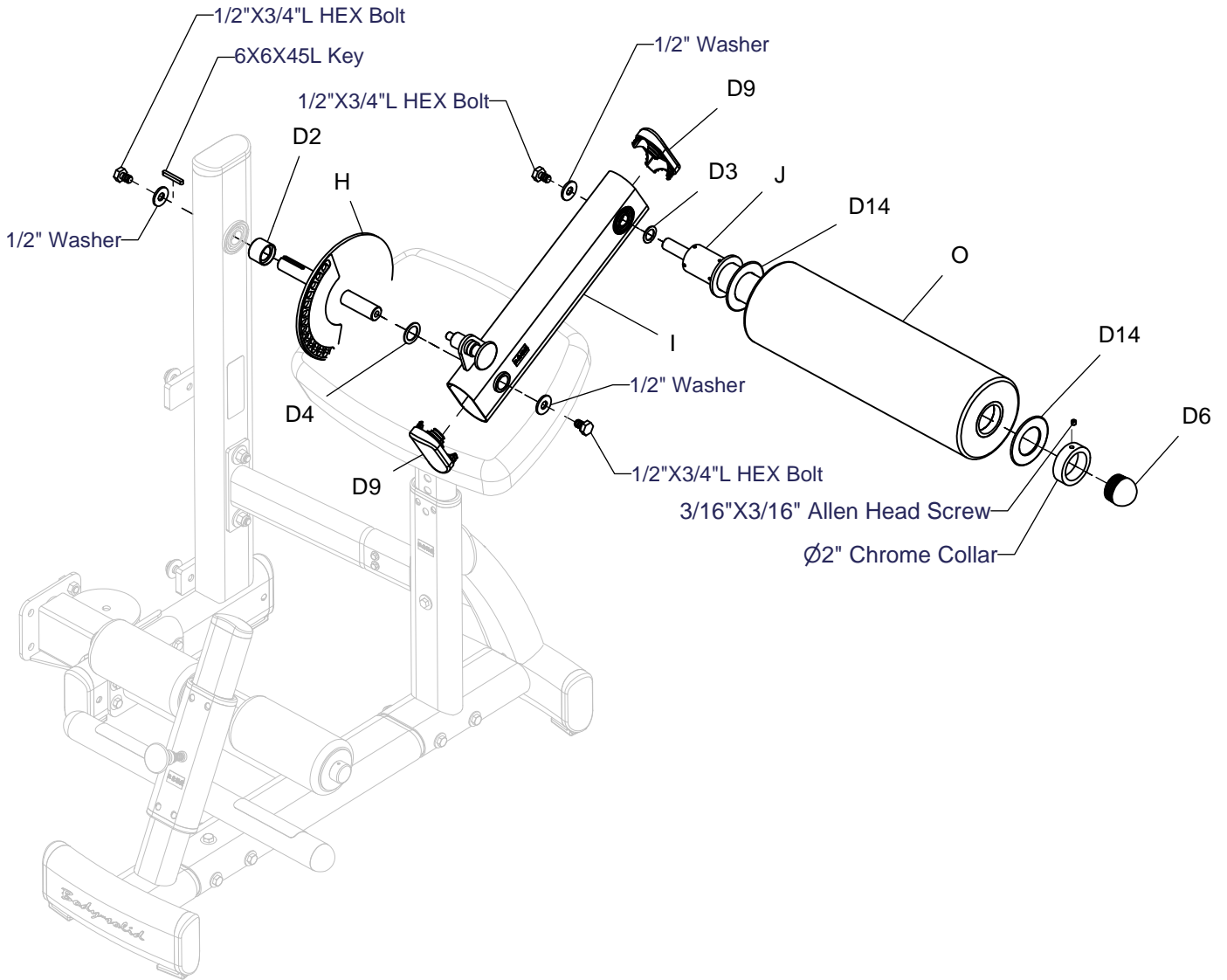
Above shows STEP 3
assembled and completed



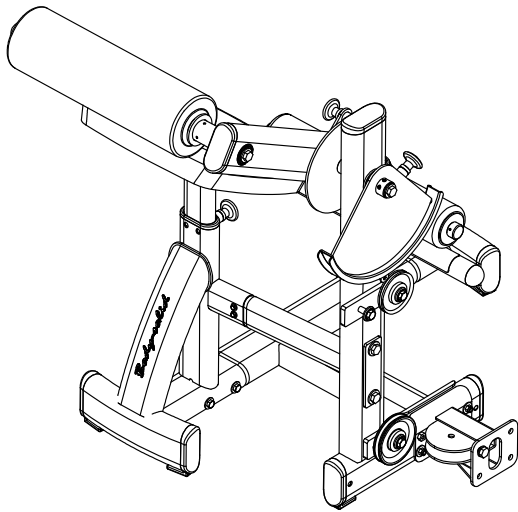
DABB ASSEMBLY INSTRUCTIONS



Above shows STEP 4 assembled and completed

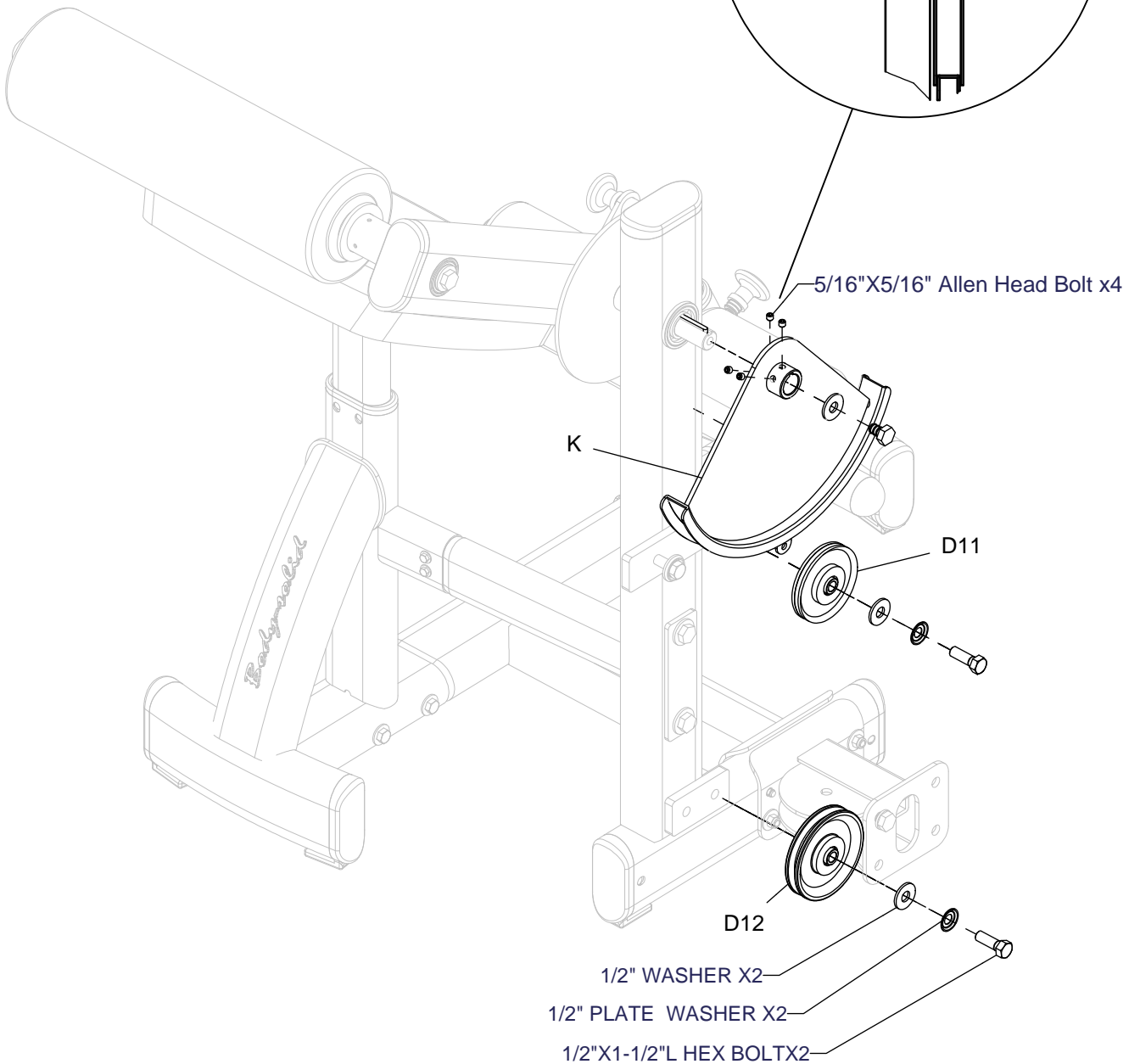
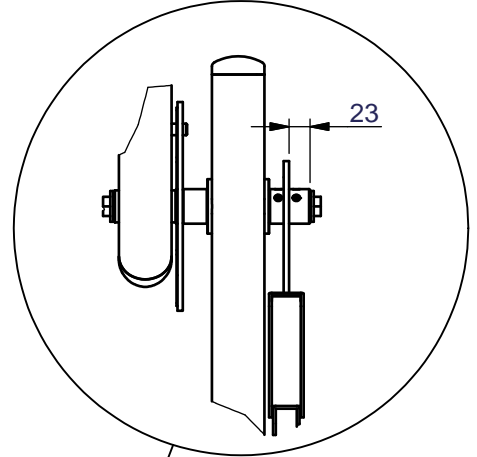


DABB ASSEMBLY INSTRUCTIONS

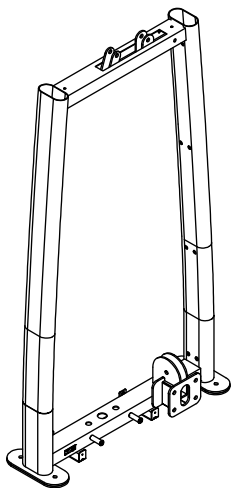


Above shows STEP 5 assembled and completed

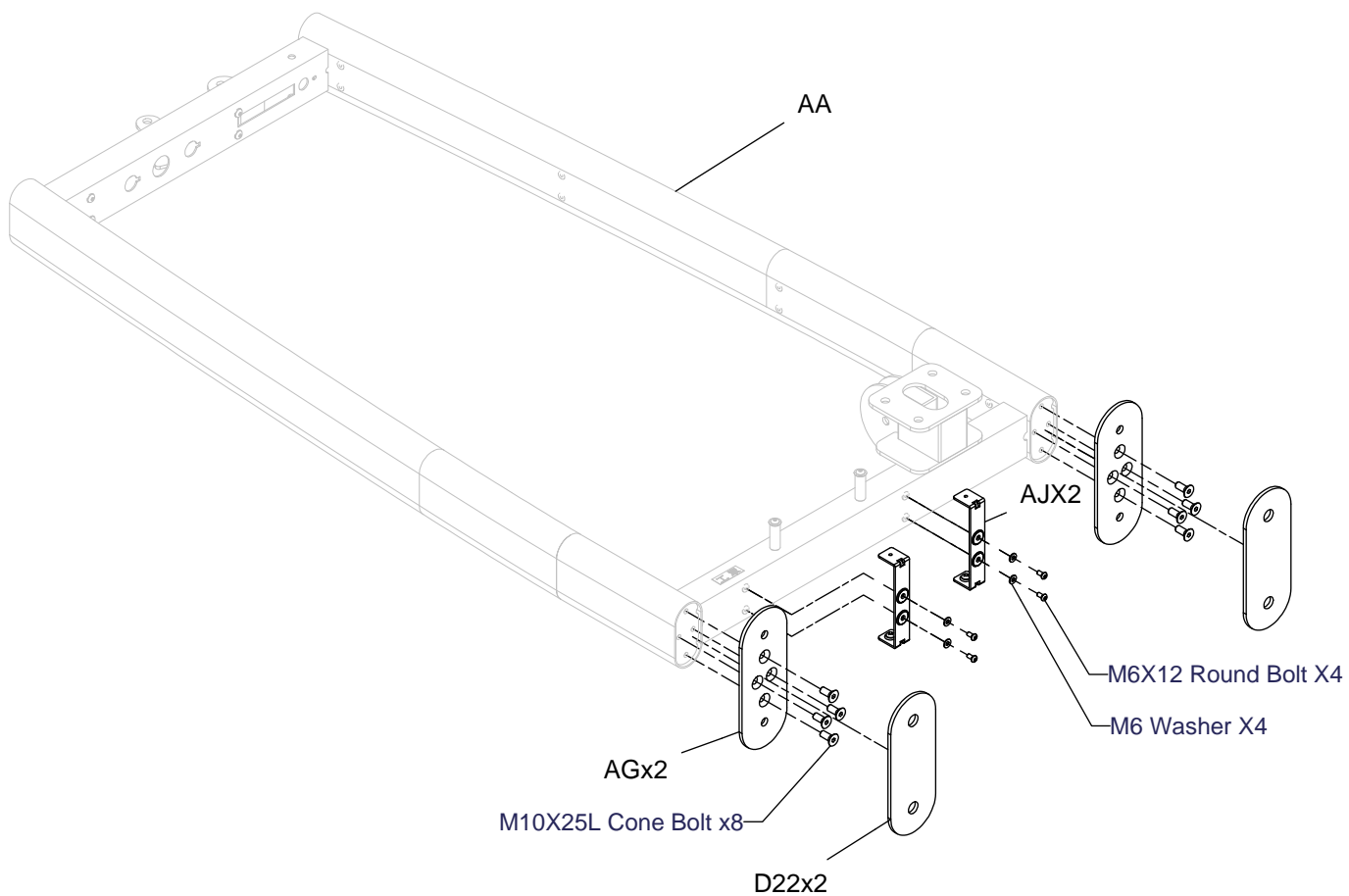
Detail View



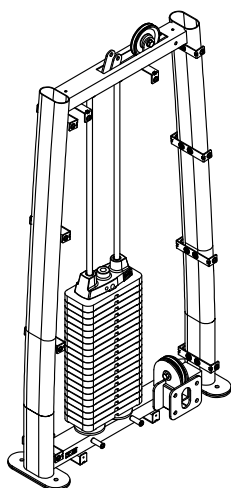
DABB ASSEMBLY INSTRUCTIONS



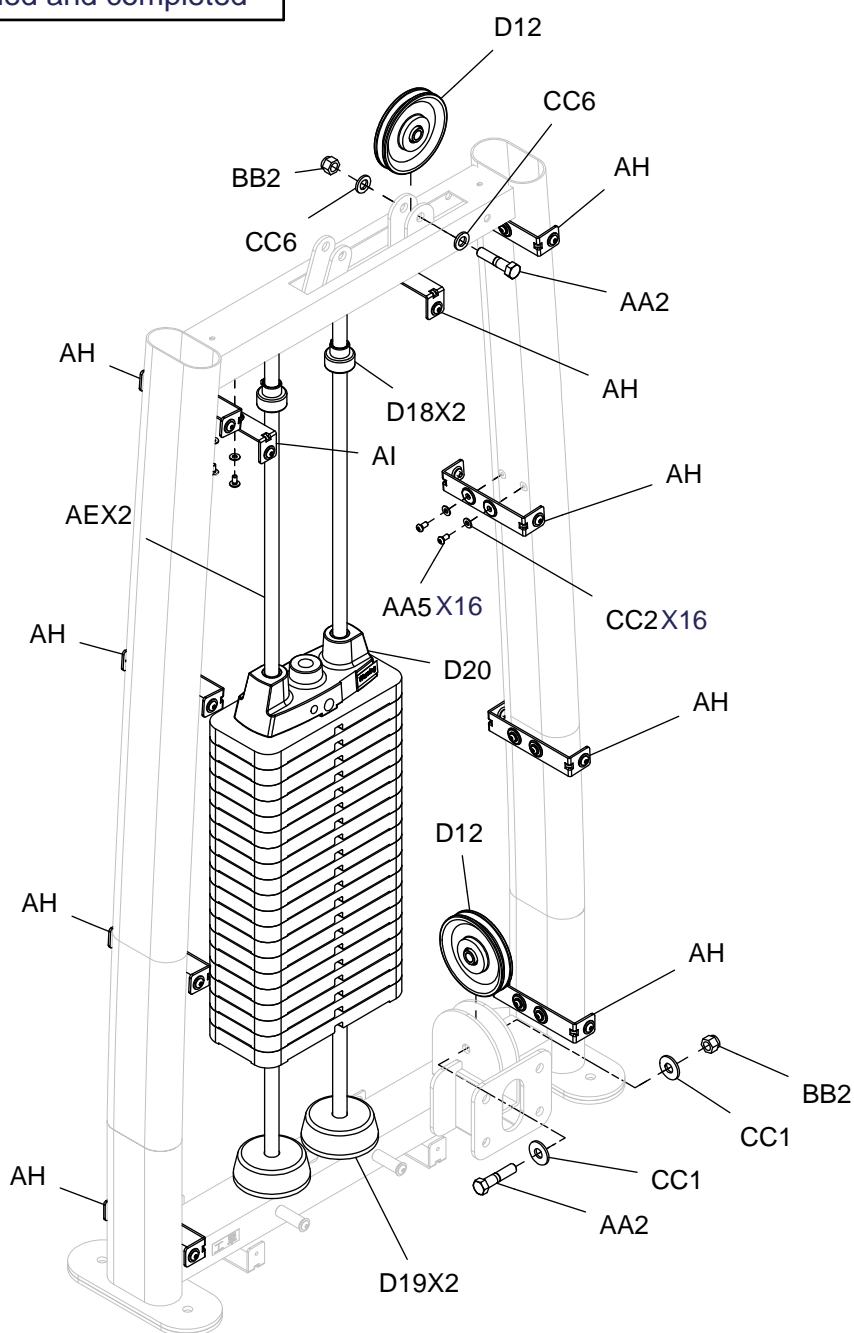
Above shows STEP 6
assembled and completed



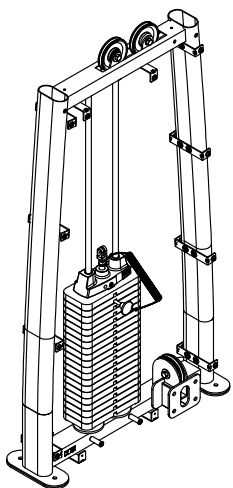
DABB ASSEMBLY INSTRUCTIONS



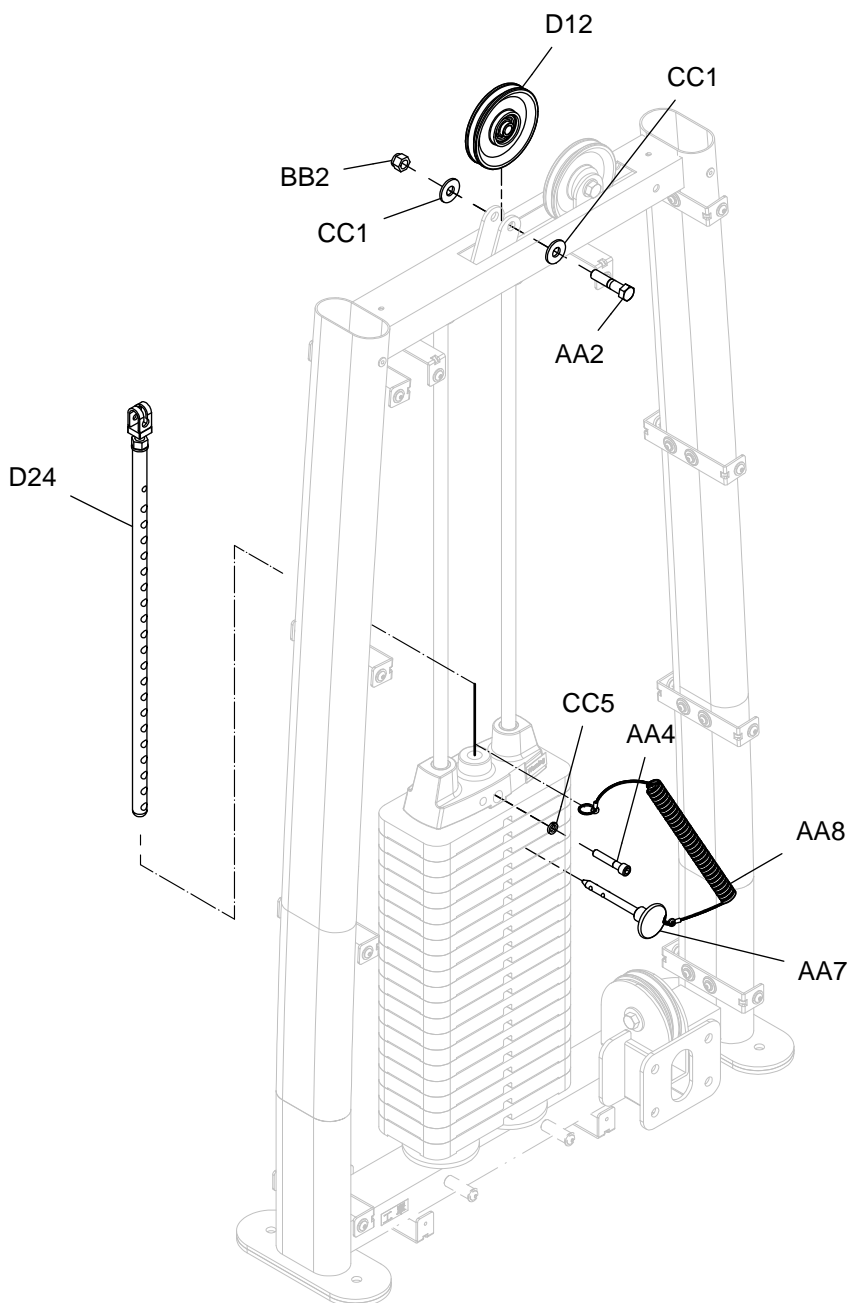
Above shows STEP 7
assembled and completed



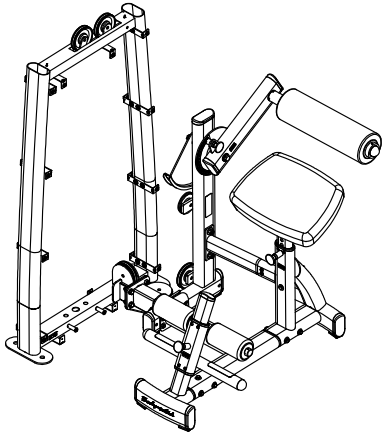
DABB ASSEMBLY INSTRUCTIONS



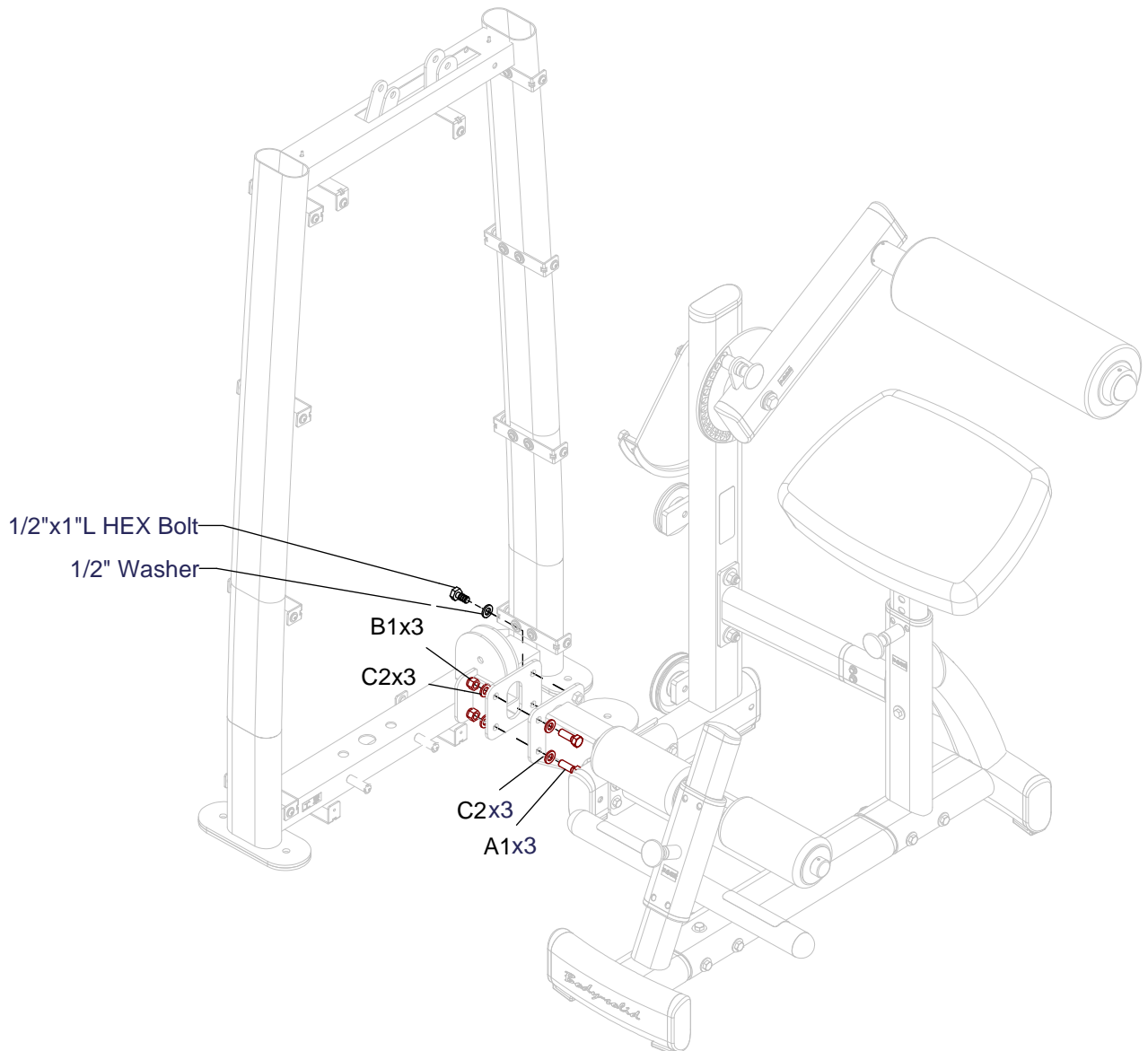
Above shows STEP 8
assembled and completed



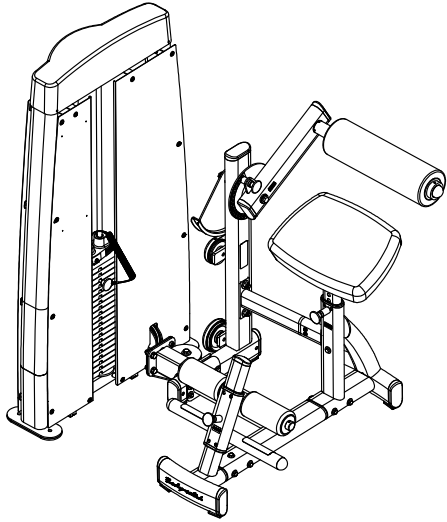
DABB ASSEMBLY INSTRUCTIONS



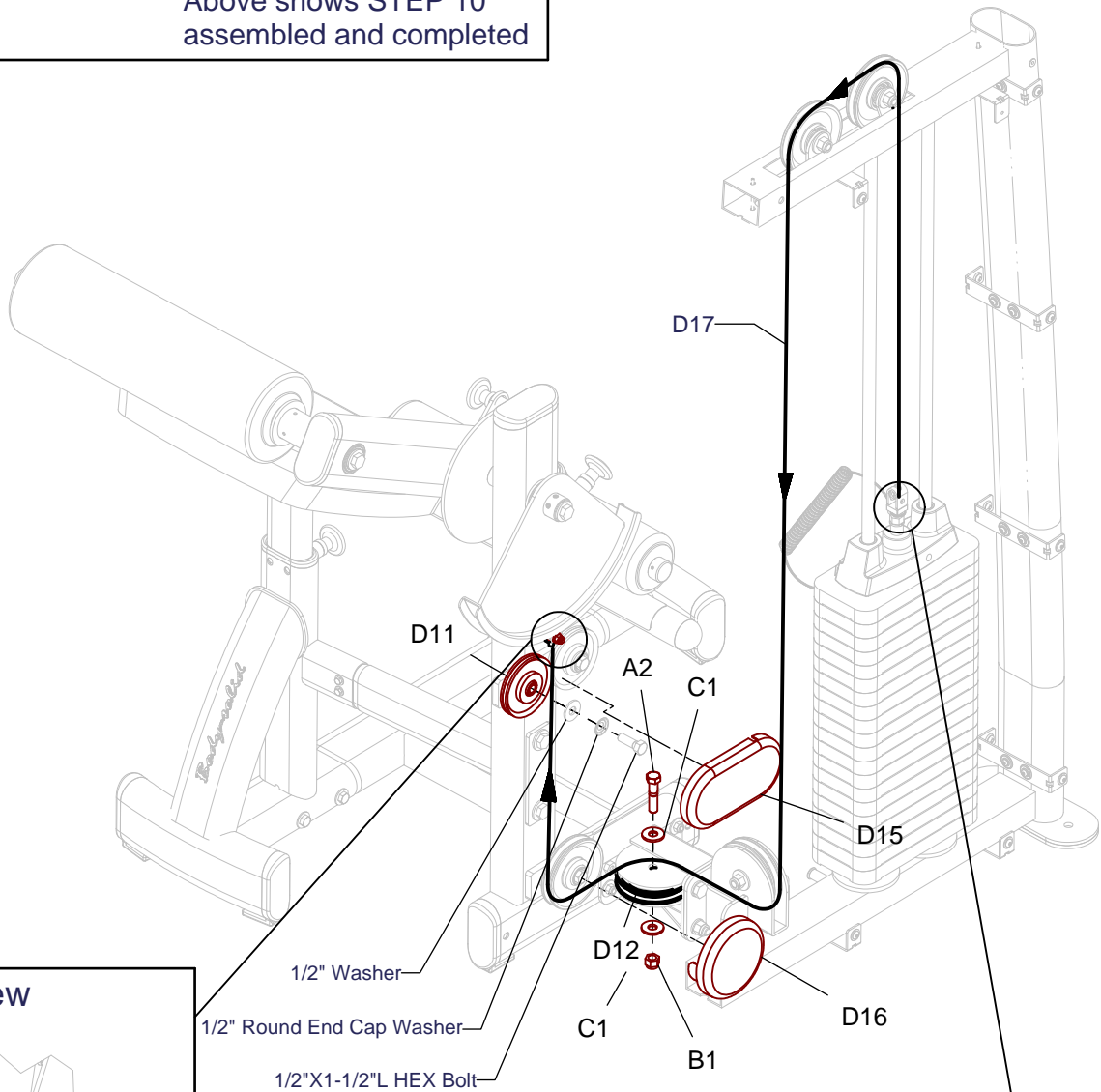
Above shows STEP 9
assembled and completed



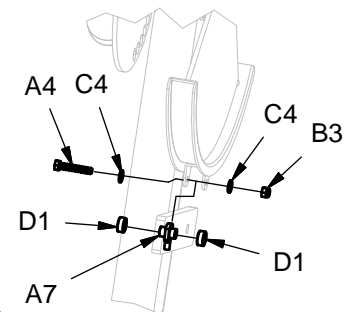
DABB ASSEMBLY INSTRUCTIONS



Above shows STEP 10 assembled and completed



Detail View

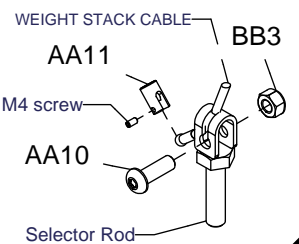
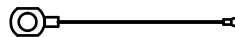


1/2" Washer

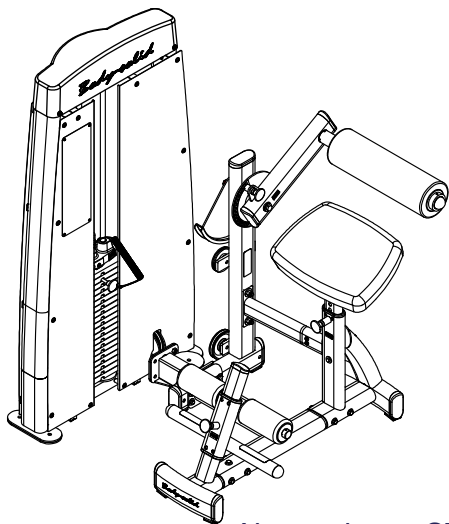
1/2" Round End Cap Washer

1/2"X1-1/2"L HEX Bolt

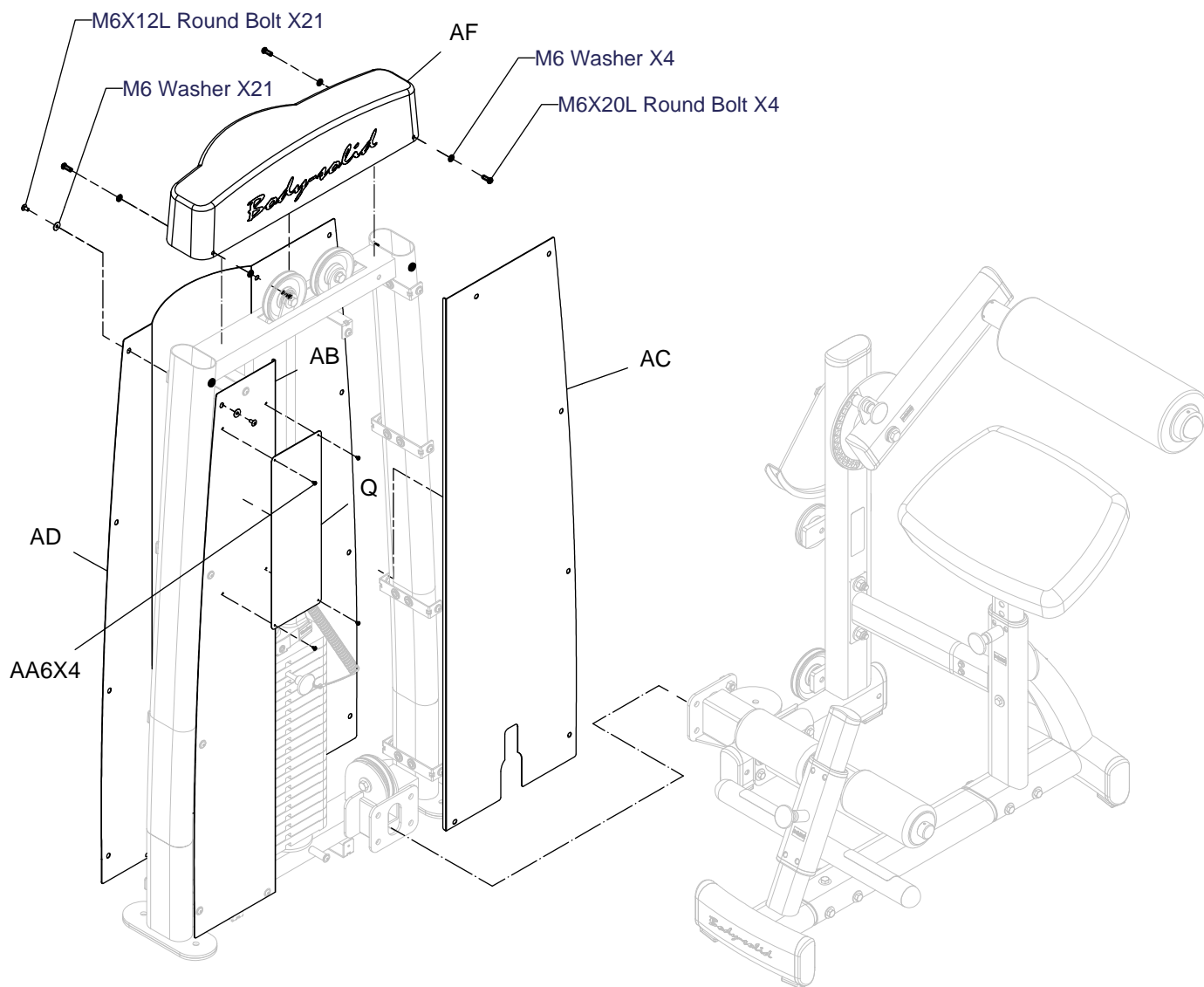
D17.



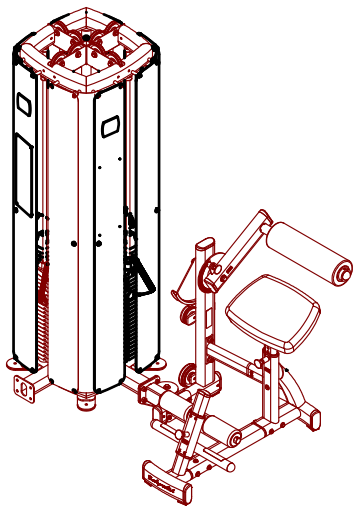
DABB ASSEMBLY INSTRUCTIONS



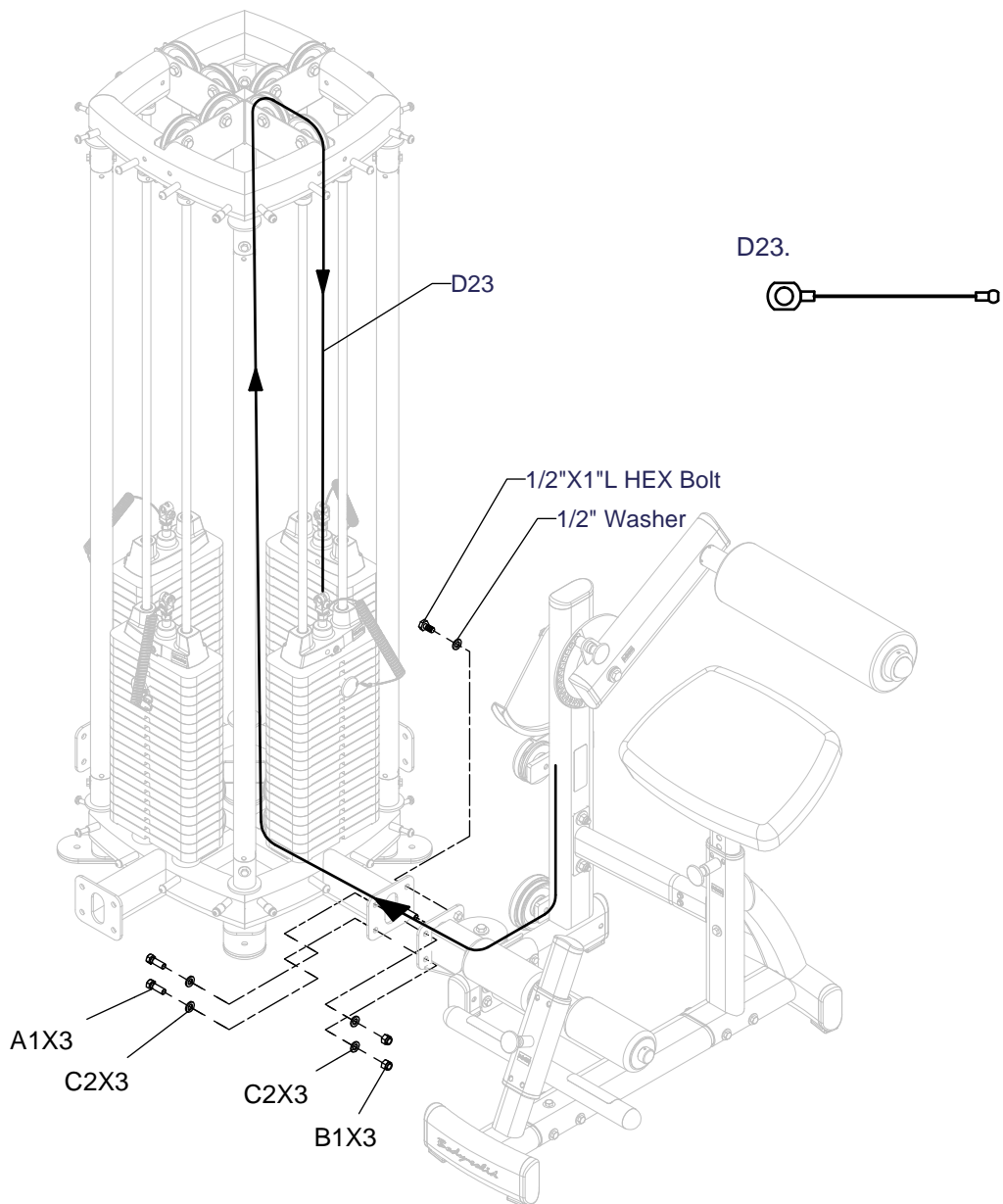
Above shows STEP 11
assembled and completed



DABB ASSEMBLY INSTRUCTIONS



Above shows STEP 12
assembled and completed



DABB ASSEMBLY INSTRUCTIONS

