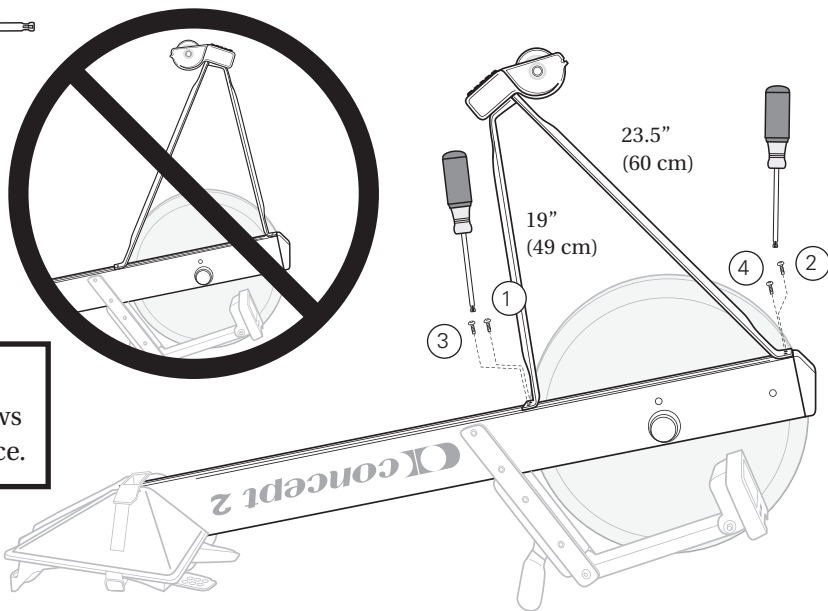
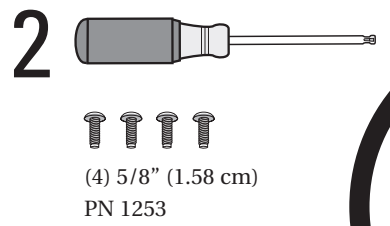
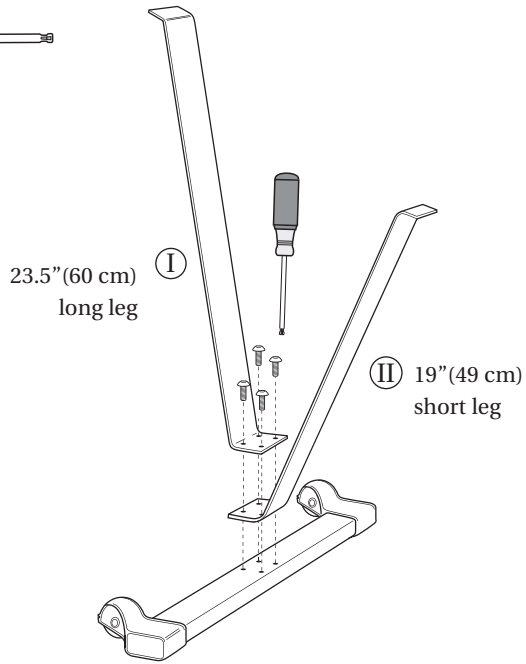
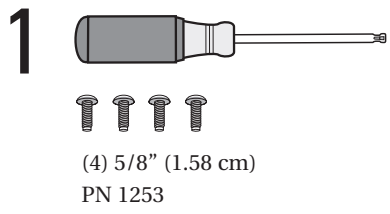
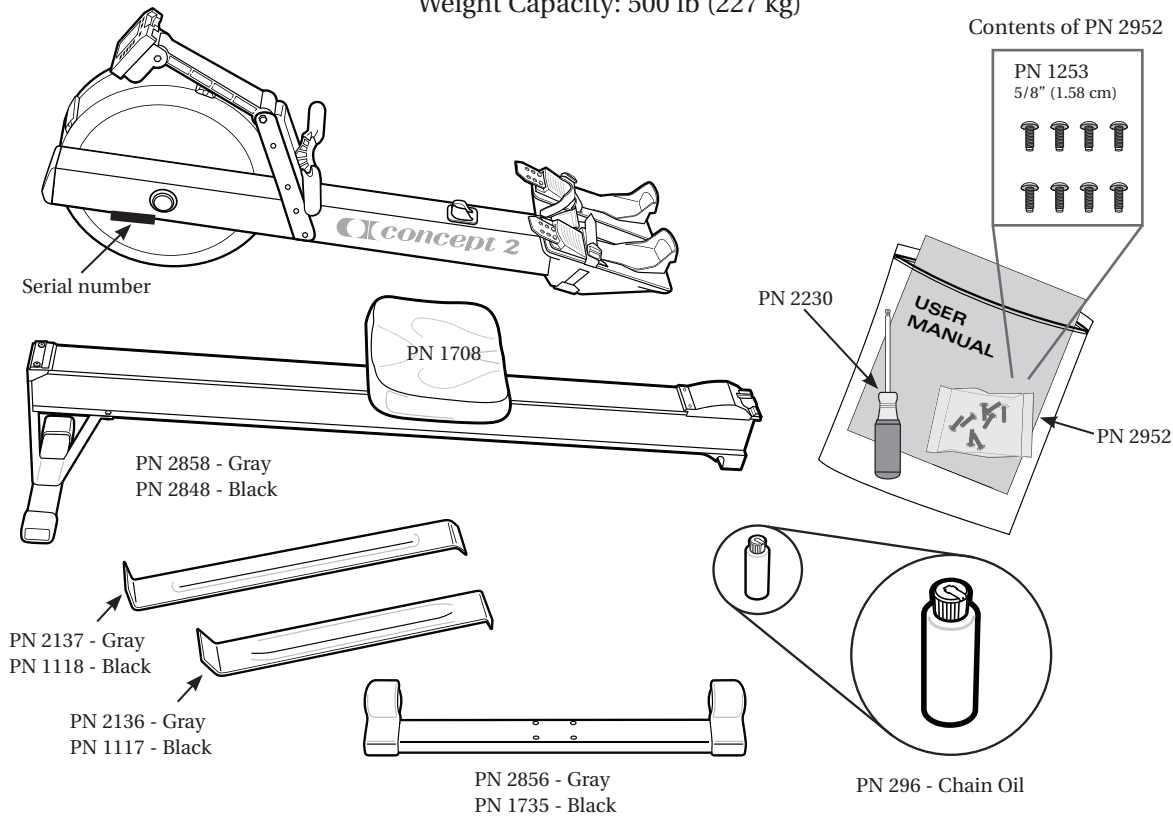


**IMPORTANT NOTE:**  
Use these instructions for **MODEL D** assembly.

**MODEL D**  
Weight: 57 lb (26 kg)  
Dimensions: 8 ft x 2 ft (244 cm x 61 cm)  
Space Required for Use: 9 ft x 4 ft (274 cm x 122 cm)  
Weight Capacity: 500 lb (227 kg)



**Assembly Tip**  
Do not fully tighten screws until all screws are in place.

## 3

