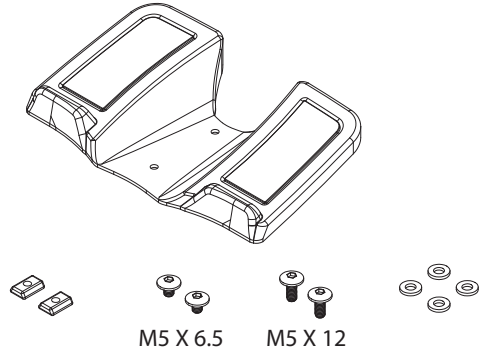


Part List



Tools Required

